

SPECIFICATION SHEET

COLLECTION: CELSIUS

PRODUCT CODE: WG-179M-CP



DESCRIPTION:

Celsius
exposed thermostatic
mini concentric shower valve 3/4"
wall mounted
concentric cartridge FL-0701-40L
minimum operating pressure 1.0 bar MP

FINISH:

Chrome

FLOW REGULATOR:

FR-SHOWER/9-C/P

MINIMUM OPERATING PRESSURE:

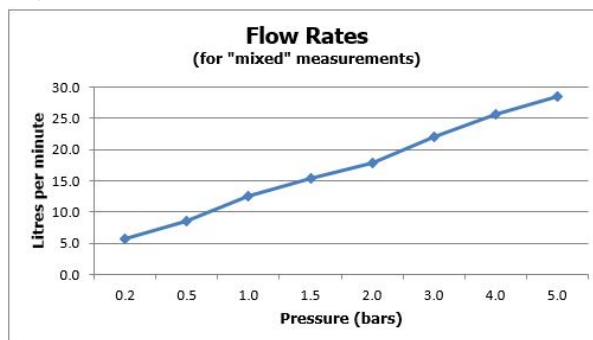
1.0 bar MP

FLOW RATE AT 3.0 BAR FLOW PRESSURE:

22 l/m



Compatible easy-fit brackets available to purchase



tel: 01934 744466
email: sales@vado.com
www.vado.com

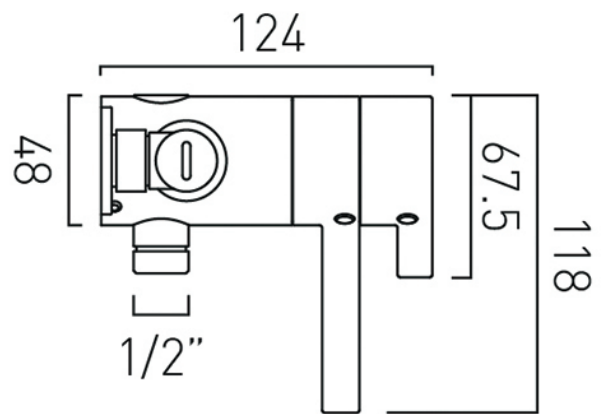
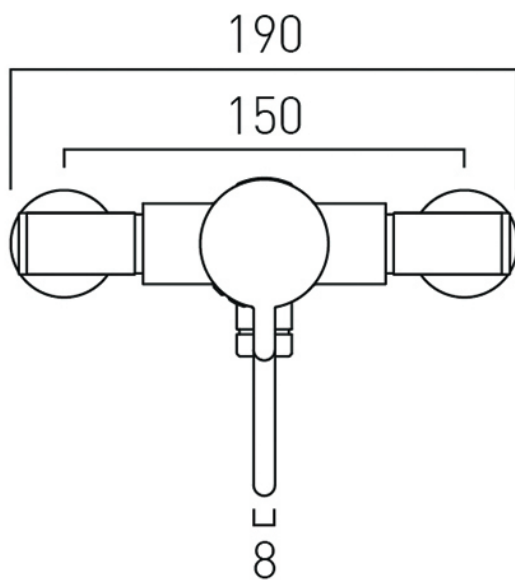
where inspiration flows
taps | showering | accessories



TECHNICAL DRAWING

COLLECTION: CELSIUS

PRODUCT CODE: WG-179M-CP



tel: 01934 744466
email: sales@vado.com
www.vado.com

where inspiration flows
taps | showering | accessories

