

SPECIFICATION SHEET

COLLECTION: CELSIUS

PRODUCT CODE: WG-1760-ATM-CP



DESCRIPTION:

- exposed thermostatic 3/4" mini concentric shower valve
- Atmosphere slide rail shower kit with air-injection 5 function handset

concentric cartridge FL-0701-40L
minimum operating pressure 1.0 bar MP

kit comprises:
WG-179M-CP
ATM-MFSRK-C/P

FINISH:

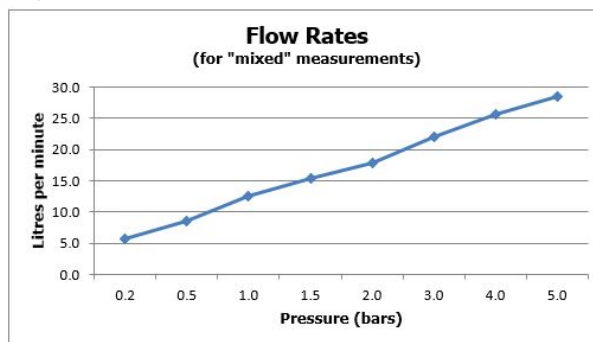
Chrome

MINIMUM OPERATING PRESSURE:

1.0 bar MP

FLOW RATE AT 3.0 BAR FLOW PRESSURE:

22 l/m



tel: 01934 744466
email: sales@vado.com
www.vado.com

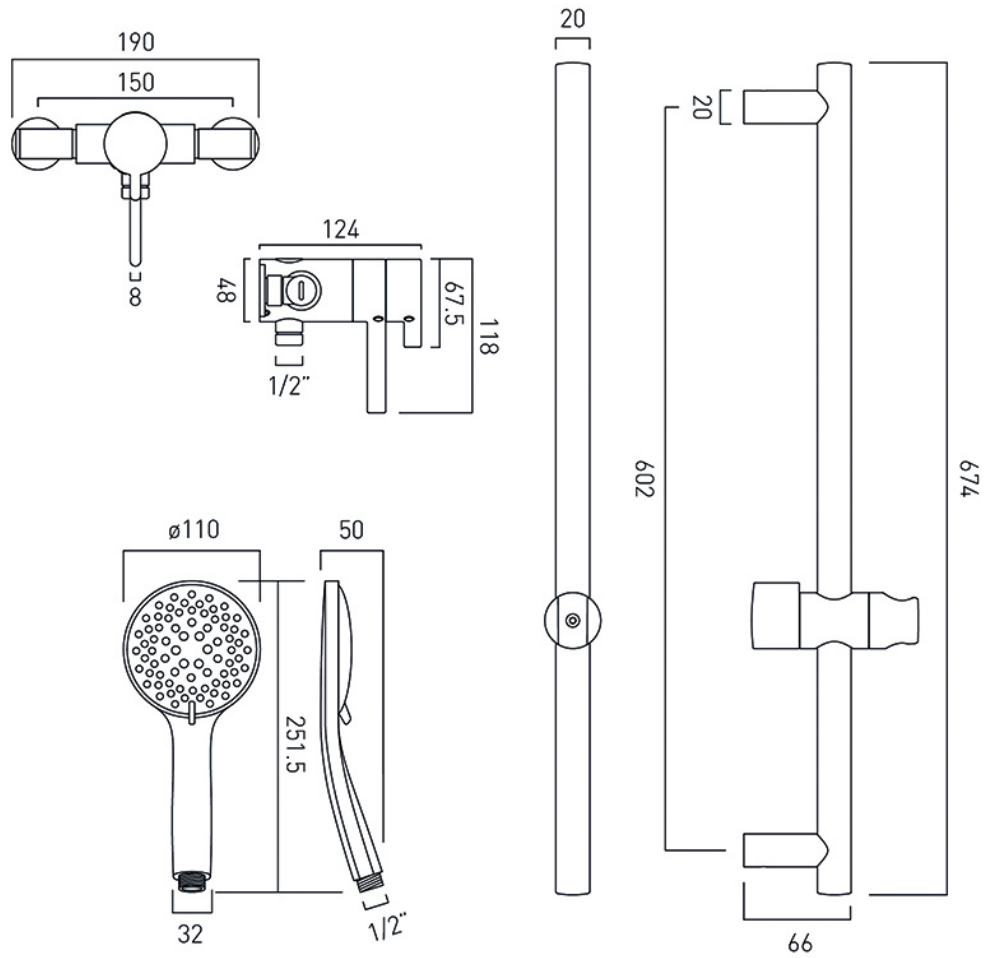
where inspiration flows
taps | showering | accessories



TECHNICAL DRAWING

COLLECTION: CELSIUS

PRODUCT CODE: WG-1760-ATM-CP



tel: 01934 744466
email: sales@vado.com
www.vado.com

where inspiration flows
taps | showering | accessories

