

SPECIFICATION SHEET

COLLECTION: ALTITUDE

PRODUCT CODE: TAB-148/2WO-ALT-CP



DESCRIPTION:

Tablet iO Altitude with integrated single function round mini kit, 2 outlet 2 handle vertical concealed thermostatic shower valve with all-flow function - 1.0 bar MOP to operate thermostatic cartridge C-704-34S diverter cartridge FL-802-33/2MX 2 x 3/4" female inlets 1 x 3/4" female outlet, 1 x 1/2" male outlet includes 3/4" - 1/2" adaptors supplied with mortar/tile guard min-max wall mount 75-100mm optimum installation depth 87mm minimum operating pressure 0.2 bar LP (shower) 1.0 bar MP (bath)

FINISH:

Chrome

FLOW REGULATOR:

FR-SHOWER/9-C/P

MINIMUM OPERATING PRESSURE:

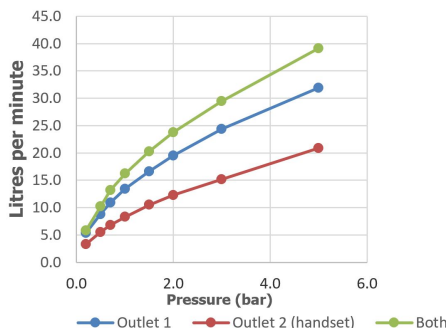
0.2 bar LP (shower) 1.0 bar MP (bath)

FLOW RATE AT 3.0 BAR FLOW PRESSURE:

outlet 1 24.2 outlet 2 (handset) 14.6 both 29.6 l/min



Flow Rates



tel: 01934 744466

email: sales@vado.com

www.vado.com

where inspiration flows

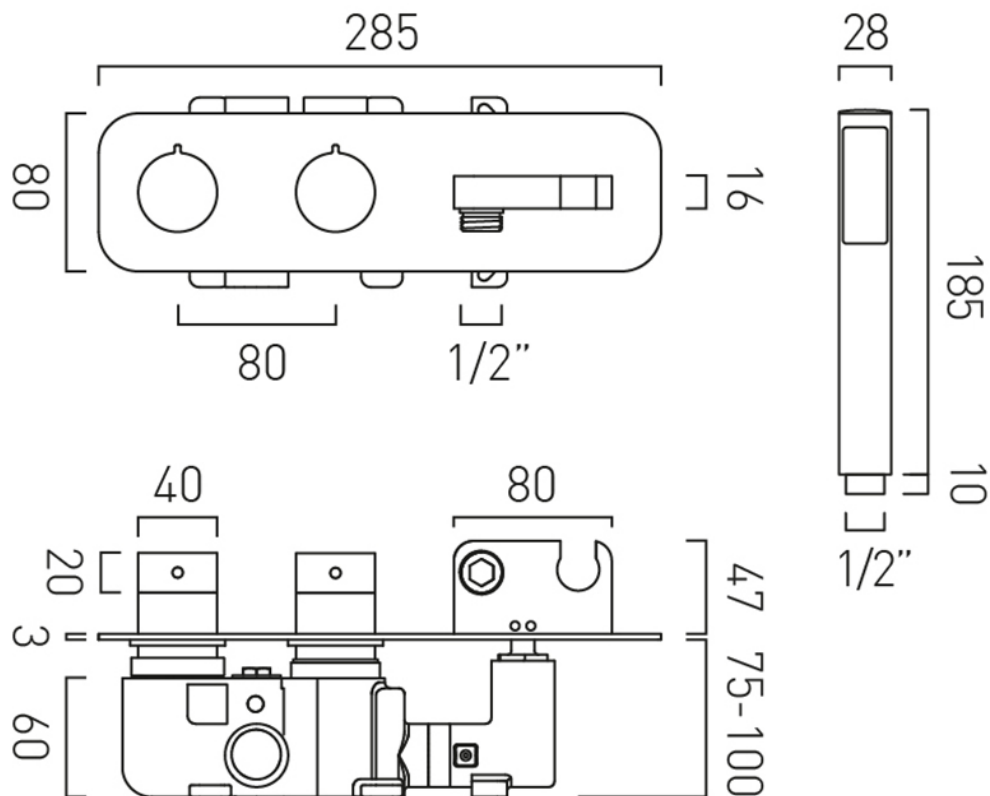
taps | showering | accessories

VADO

TECHNICAL DRAWING

COLLECTION: ALTITUDE

PRODUCT CODE: TAB-148/2WO-ALT-CP



tel: 01934 744466
email: sales@vado.com
www.vado.com

where inspiration flows
taps | showering | accessories

