

# SPECIFICATION SHEET

**COLLECTION:** PHASE

**PRODUCT CODE:** PHA-200MF/SB-C/P



**DESCRIPTION:**

mini mono basin mixer  
single lever  
deck mounted  
smooth bodied  
without universal basin waste  
with water flow aerator  
ceramic cartridge C-001-N25  
2 x 1/2" x 400mm flexipipe connections  
deck mount drill hole diameter 35mm  
minimum operating pressure 0.5 bar LP

**FINISH:**

Chrome

**FLOW REGULATOR:**

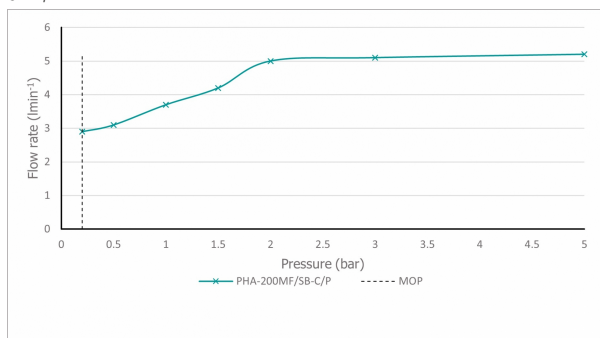
5l/min fitted as standard

**MINIMUM OPERATING PRESSURE:**

0.5 bar LP

**FLOW RATE AT 3.0 BAR FLOW PRESSURE:**

5.1 l/m



tel: 01934 744466  
email: sales@vado.com  
www.vado.com

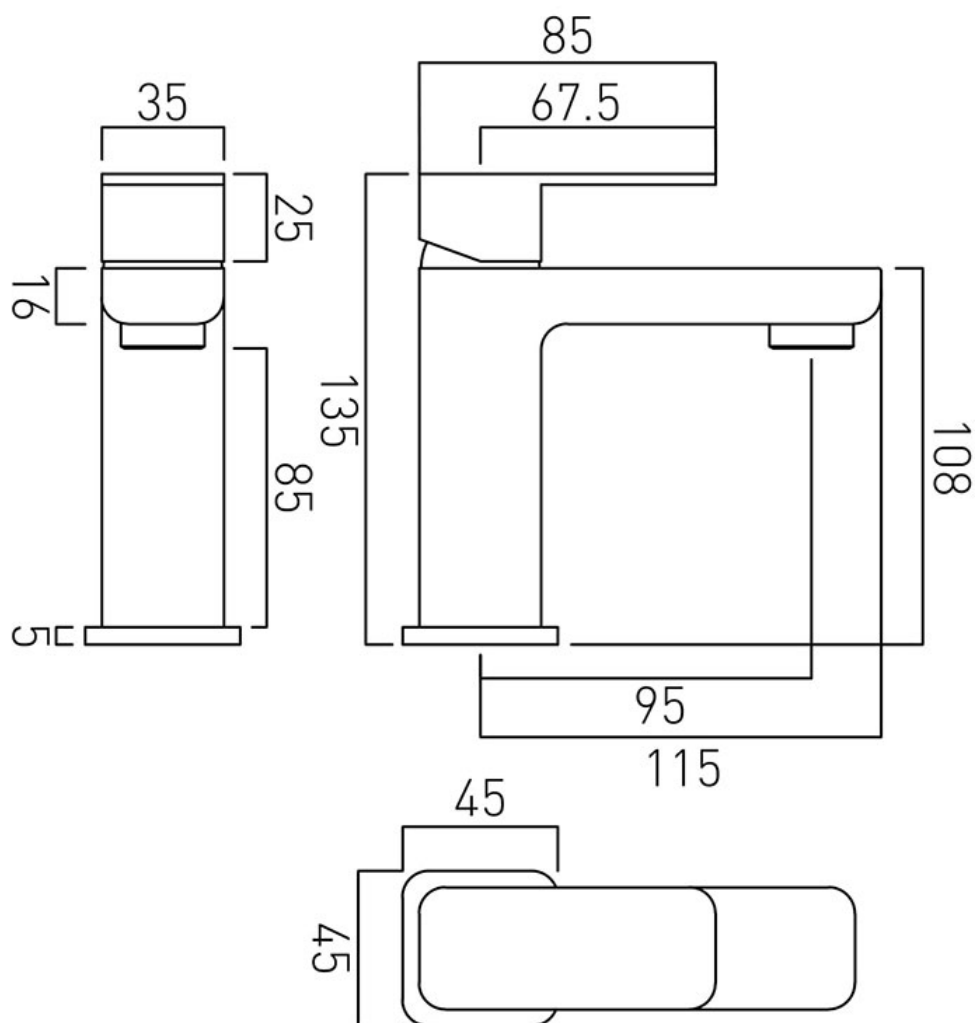
**where inspiration flows**  
taps | showering | accessories



# TECHNICAL DRAWING

**COLLECTION:** PHASE

**PRODUCT CODE:** PHA-200MF/SB-C/P



tel: 01934 744466  
email: [sales@vado.com](mailto:sales@vado.com)  
[www.vado.com](http://www.vado.com)

**where inspiration flows**  
taps | showering | accessories

