

# SPECIFICATION SHEET

**COLLECTION:** ORIGINS

**PRODUCT CODE:** ORI-209S/A-CP



**DESCRIPTION:**

slimline 2 hole basin mixer  
single lever, wall mounted  
with water flow aerator  
ceramic cartridge CAR-K35B  
2 x 1/2" inlets  
min-max wall mount 55-72mm  
tile-to mortar guard included  
wall mount drill hole diameters:  
spout 40-48mm handle 45-48mm  
minimum operating pressure 0.2 bar LP

**FINISH:**

Chrome

**FLOW REGULATOR:**

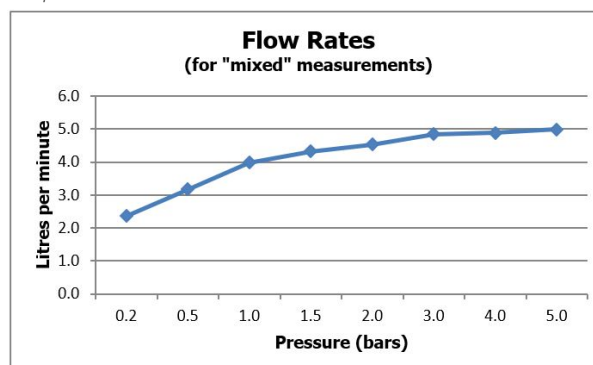
5 l/m flow regulator fitted as standard

**MINIMUM OPERATING PRESSURE:**

0.2 bar LP

**FLOW RATE AT 3.0 BAR FLOW PRESSURE:**

4.9 l/m



tel: 01934 744466  
email: sales@vado.com  
www.vado.com

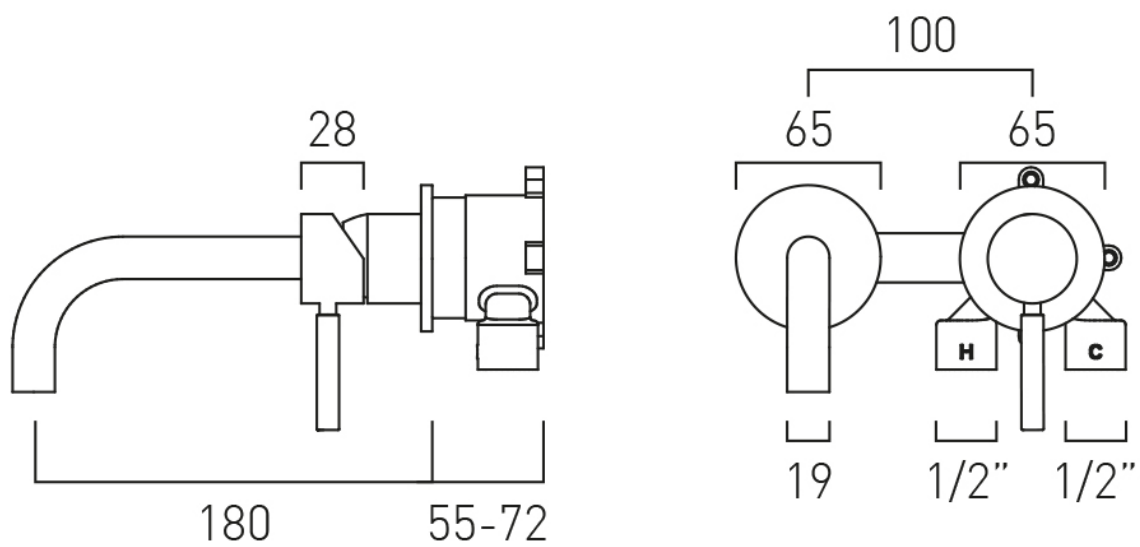
**where inspiration flows**  
taps | showering | accessories



# TECHNICAL DRAWING

**COLLECTION:** ORIGINS

**PRODUCT CODE:** ORI-209S/A-CP



tel: 01934 744466  
email: sales@vado.com  
www.vado.com

**where inspiration flows**  
taps | showering | accessories

