

SPECIFICATION SHEET

COLLECTION: OMIKA

PRODUCT CODE: OMI-SFMKWO/A-CP



DESCRIPTION:

single function mini shower kit
wall mounted
with 150cm shower hose
and bracket with integrated outlet
1/2" inlet
35mm adjustable thread,
0-11mm wall mount tolerance
minimum operating pressure 1.0 bar MP

FINISH:

Chrome

FLOW REGULATOR:

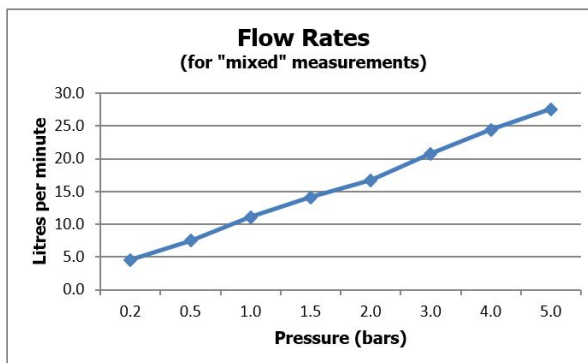
FR-FLEXI/8-PLA (Optional)

MINIMUM OPERATING PRESSURE:

1.0 bar MP

FLOW RATE AT 3.0 BAR FLOW PRESSURE:

21 l/min



tel: 01934 744466
email: sales@vado.com
www.vado.com

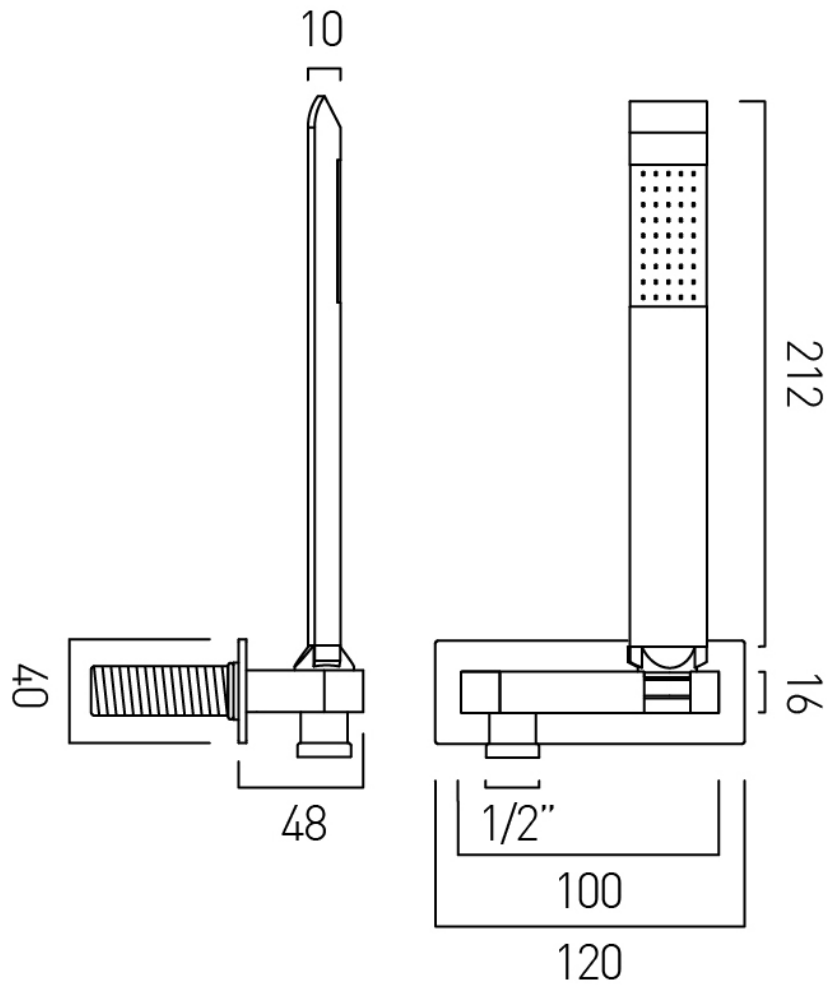
where inspiration flows
taps | showering | accessories



TECHNICAL DRAWING

COLLECTION: OMIKA

PRODUCT CODE: OMI-SFMKWO/A-CP



tel: 01934 744466
email: sales@vado.com
www.vado.com

where inspiration flows
taps | showering | accessories

