

# SPECIFICATION SHEET

**COLLECTION:** NEBULA

**PRODUCT CODE:** NEB-R0/20-CP



**DESCRIPTION:**

Nebula  
round single function shower head  
1/2" female inlet

200mm (8")  
minimum operating pressure 0.2 bar LP

**FINISH:**

Chrome

**MINIMUM OPERATING PRESSURE:**

0.2 bar LP



tel: 01934 744466  
email: sales@vado.com  
www.vado.com

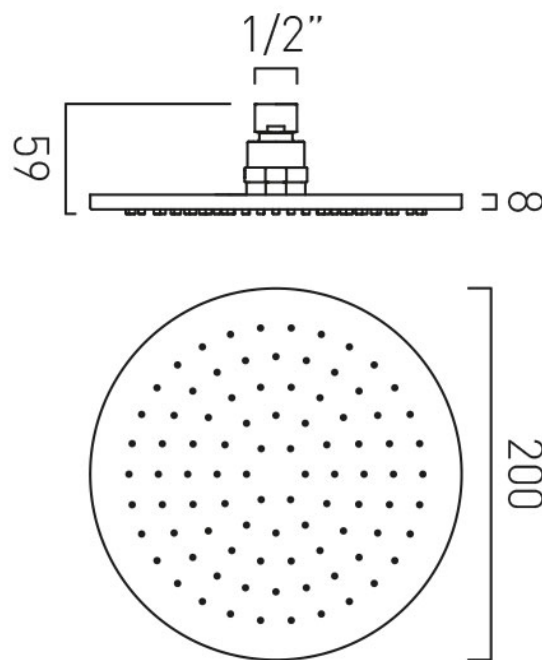
**where inspiration flows**  
taps | showering | accessories



# TECHNICAL DRAWING

**COLLECTION:** NEBULA

**PRODUCT CODE:** NEB-R0/20-CP



tel: 01934 744466  
email: [sales@vado.com](mailto:sales@vado.com)  
[www.vado.com](http://www.vado.com)

**where inspiration flows**  
taps | showering | accessories

