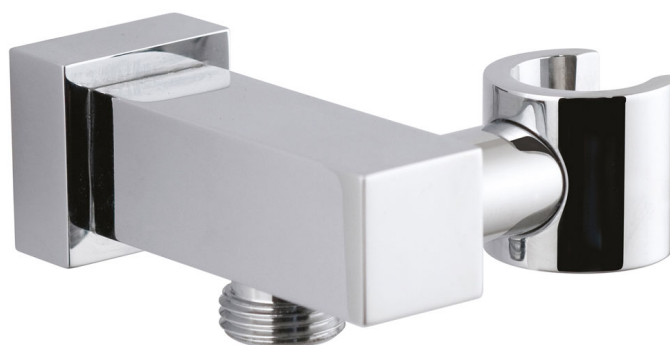


SPECIFICATION SHEET

COLLECTION:

PRODUCT CODE: MIX-WE02-C/P



DESCRIPTION:

Mix2
integrated outlet
and shower bracket
wall mounted
1/2" threaded inlet
1/2" threaded outlet

FINISH:

Chrome

FLOW REGULATOR:

N



tel: 01934 744466
email: sales@vado.com
www.vado.com

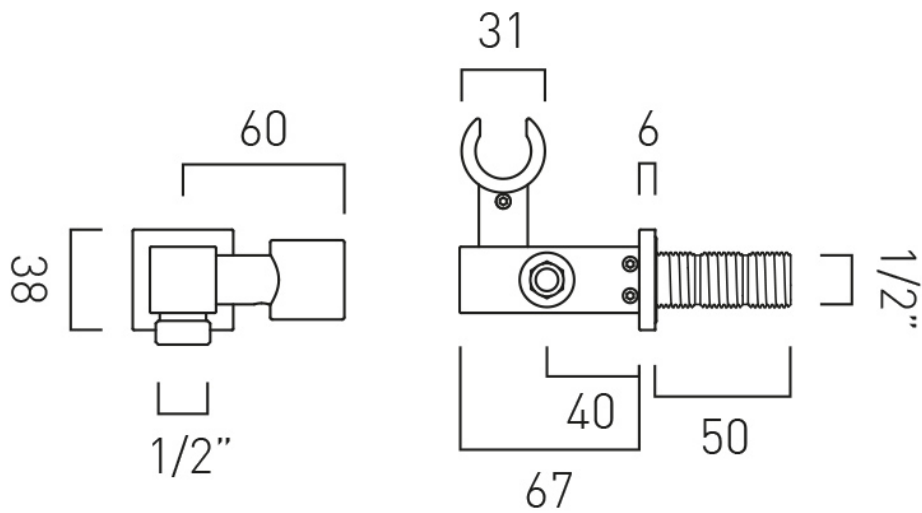
where inspiration flows
taps | showering | accessories



TECHNICAL DRAWING

COLLECTION:

PRODUCT CODE: MIX-WE02-C/P



tel: 01934 744466
email: sales@vado.com
www.vado.com

where inspiration flows
taps | showering | accessories

