

SPECIFICATION SHEET

COLLECTION: LIFE

PRODUCT CODE: LIF-233-CP



DESCRIPTION:

bath shower mixer
single lever
floor mounted
with water flow aerator
with Life single function shower kit
ceramic cartridge C-011-N40
2 x 1/2" female threaded connections
clearance 920mm from floor to spout
minimum operating pressure 1.0 bar MP

FINISH:

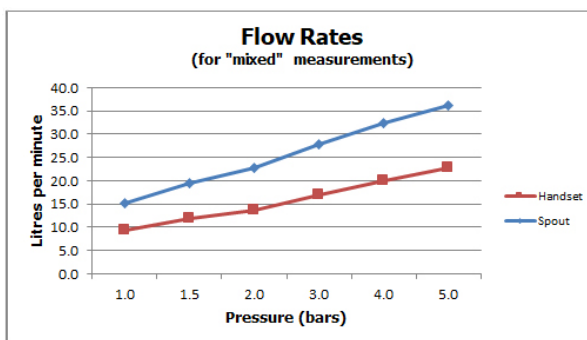
Chrome

FLOW REGULATOR:

FR-SHOWER/9-C/P

MINIMUM OPERATING PRESSURE:

1.0 bar MP



tel: 01934 744466
email: sales@vado.com
www.vado.com

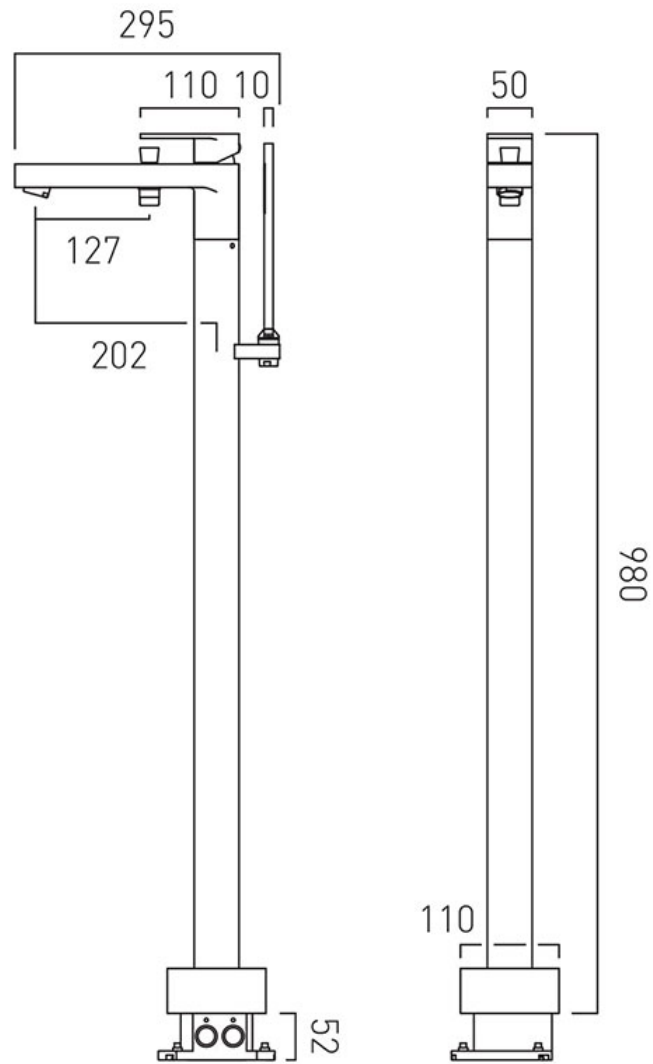
where inspiration flows
taps | showering | accessories



TECHNICAL DRAWING

COLLECTION: LIFE

PRODUCT CODE: LIF-233-CP



tel: 01934 744466
email: sales@vado.com
www.vado.com

where inspiration flows
taps | showering | accessories

