

SPECIFICATION SHEET

COLLECTION: LIFE

PRODUCT CODE: LIF-132/NS-C/P



DESCRIPTION:

3 hole bath shower mixer
single lever
deck mounted
without spout
for use with bath filler waste and overflow
ceramic cartridge CAR-K40A
2 x 10mm (1/2") flexipipe connection on valve
1 x 1/2"x1/2" flexipipe
1 x 1/2"x1/2" x 150cm shower hose
3 x 600mm flexipipe connections
valve deck mount drill hole diameter 32mm
diverter deck mount drill hole diameter 28mm
handset deck mount drill hole diameter 28mm
minimum operating pressure 3.0 bar HP

FINISH:

Chrome

FLOW REGULATOR:

FR-SHOWER/9-C/P

MINIMUM OPERATING PRESSURE:

3.0 bar HP



tel: 01934 744466
email: sales@vado.com
www.vado.com

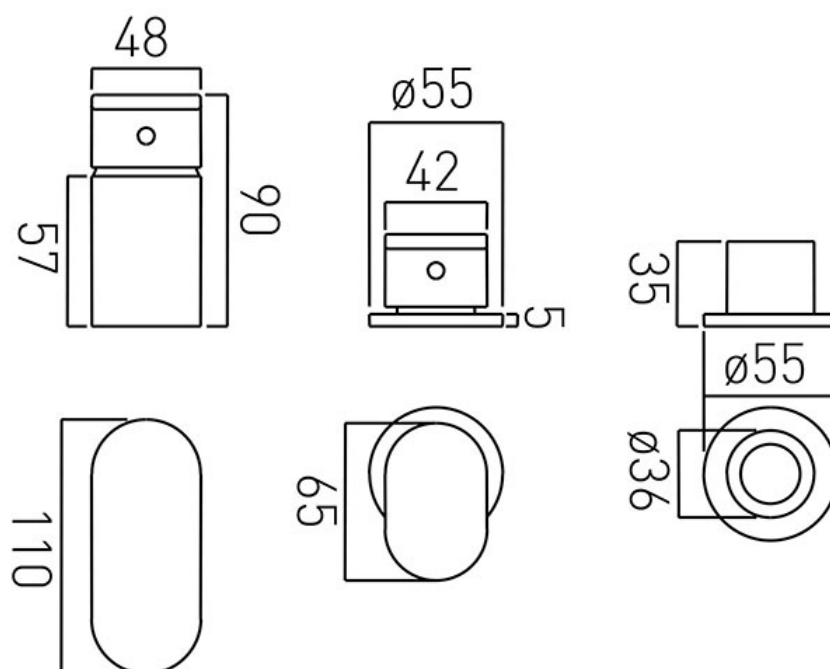
where inspiration flows
taps | showering | accessories



TECHNICAL DRAWING

COLLECTION: LIFE

PRODUCT CODE: LIF-132/NS-C/P



tel: 01934 744466
email: sales@vado.com
www.vado.com

where inspiration flows
taps | showering | accessories

