

# SPECIFICATION SHEET

**COLLECTION:** LIFE

**PRODUCT CODE:** LIF-131T+K-CP



**DESCRIPTION:**

2 hole exposed thermostatic bath shower mixer  
deck mounted  
with water flow straightener  
with Life single function shower kit  
thermostatic cartridge V-001E-PLA  
3/4" x 50mm threaded connection on legs  
deck mount drill hole diameter 28mm  
minimum operating pressure 1.0 bar MP

**FINISH:**

Chrome

**FLOW REGULATOR:**

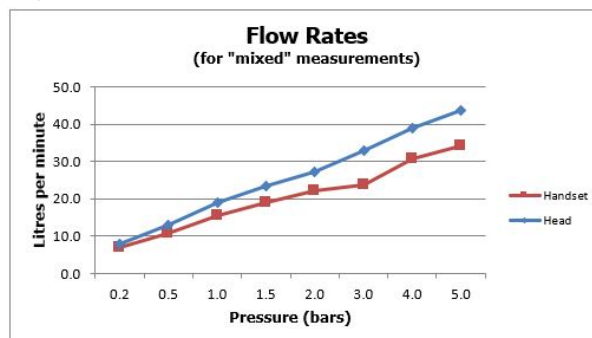
FR-SHOWER/9-C/P

**MINIMUM OPERATING PRESSURE:**

1.0 bar MP

**FLOW RATE AT 3.0 BAR FLOW PRESSURE:**

33 l/m



tel: 01934 744466  
email: sales@vado.com  
www.vado.com

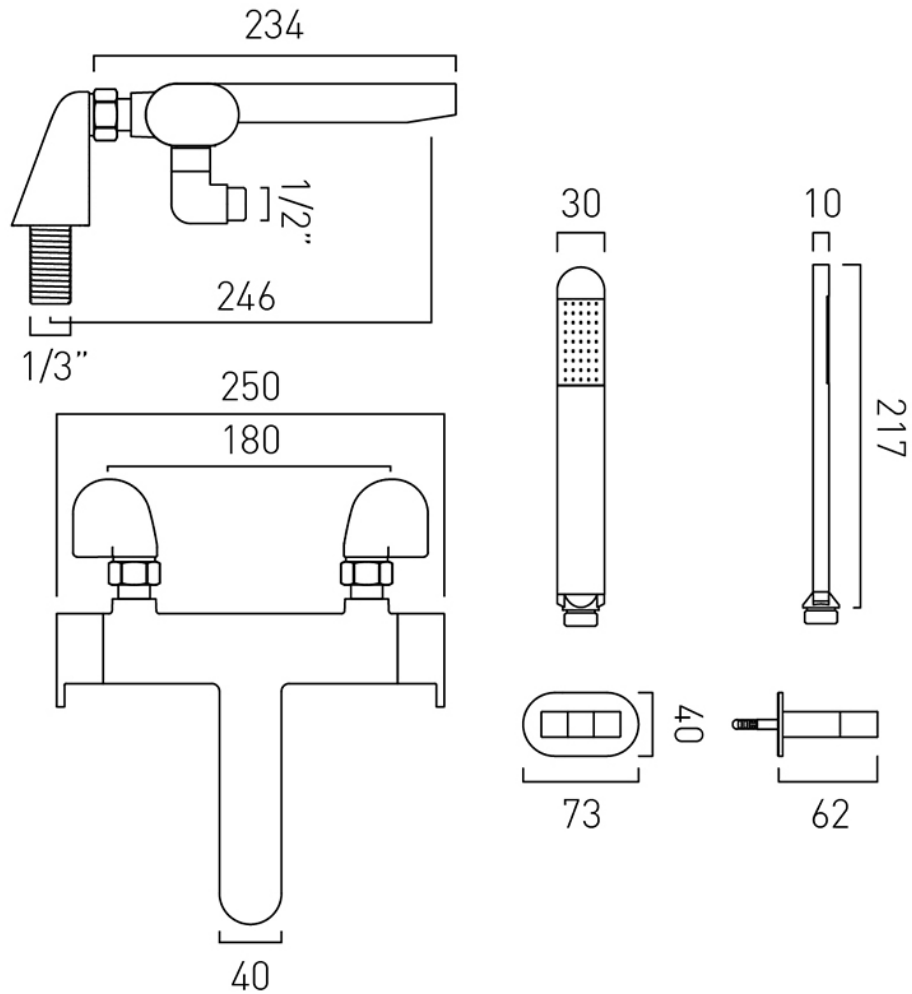
**where inspiration flows**  
taps | showering | accessories



# TECHNICAL DRAWING

COLLECTION: LIFE

PRODUCT CODE: LIF-131T+K-CP



tel: 01934 744466  
email: sales@vado.com  
www.vado.com

**where inspiration flows**  
taps | showering | accessories

