

SPECIFICATION SHEET

COLLECTION: LIFE

PRODUCT CODE: LIF-123T+K-CP



DESCRIPTION:

exposed thermostatic bath shower mixer
wall mounted
with water flow straightener
with Life single function shower kit
thermostatic cartridge V-001E-PLA
1/2" x 3/4" x 50mm eccentric threaded connection
minimum operating pressure 1.0 bar MP

FINISH:

Chrome

FLOW REGULATOR:

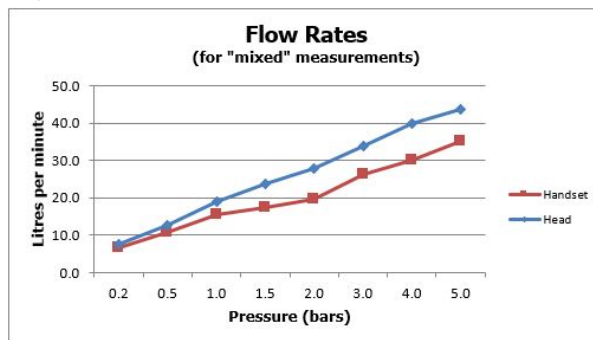
FR-SHOWER/9-C/P

MINIMUM OPERATING PRESSURE:

1.0 bar MP

FLOW RATE AT 3.0 BAR FLOW PRESSURE:

34 l/m



tel: 01934 744466
email: sales@vado.com
www.vado.com

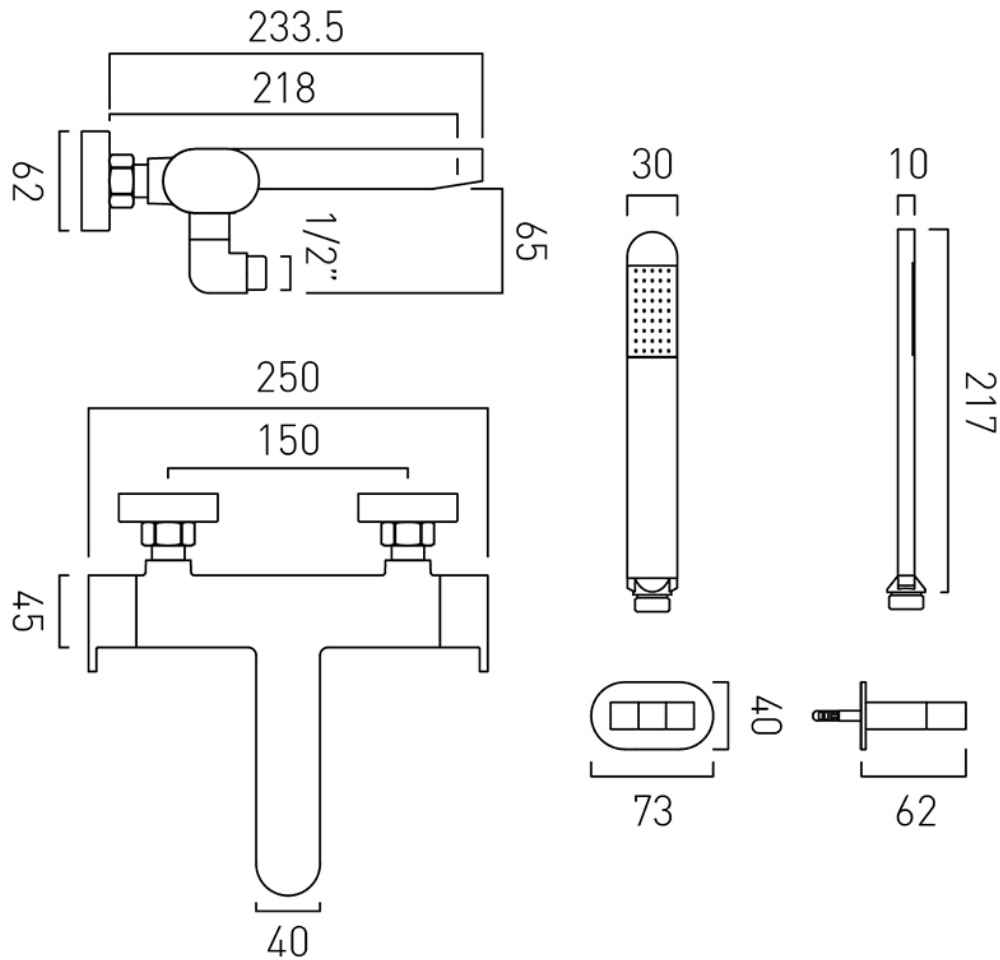
where inspiration flows
taps | showering | accessories



TECHNICAL DRAWING

COLLECTION: LIFE

PRODUCT CODE: LIF-123T+K-CP



tel: 01934 744466
email: sales@vado.com
www.vado.com

where inspiration flows
taps | showering | accessories

