

# SPECIFICATION SHEET

**COLLECTION:** ORIGINS

**PRODUCT CODE:** IND-ORI233-BRN



**DESCRIPTION:**

bath shower mixer  
with shower kit  
single lever  
floor mounted  
fixed spout  
with water flow straightener  
ceramic cartridge C-013-N40  
2 x 1/2" inlets  
minimum operating pressure 1.0 bar MP

**FINISH:**

Brushed Nickel

**FLOW REGULATOR:**

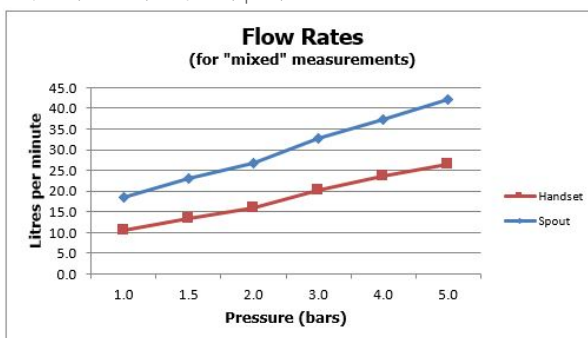
FR-FLEXI/8-PLA

**MINIMUM OPERATING PRESSURE:**

1.0 bar MP

**FLOW RATE AT 3.0 BAR FLOW PRESSURE:**

20 l/min (handset) 33 l/min (spout)



tel: 01934 744466  
email: sales@vado.com  
www.vado.com

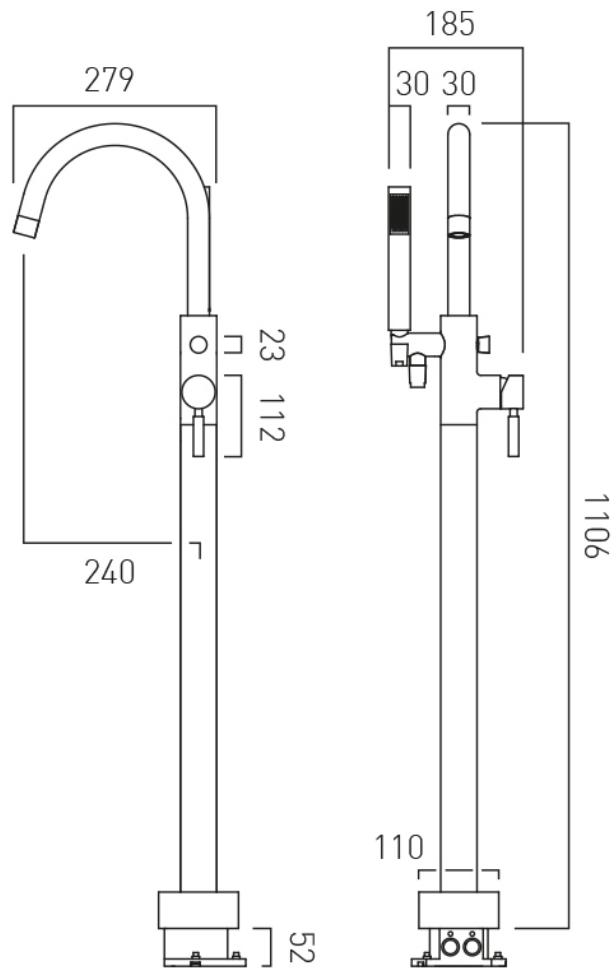
**where inspiration flows**  
taps | showering | accessories



# TECHNICAL DRAWING

**COLLECTION:** ORIGINS

**PRODUCT CODE:** IND-ORI233-BRN



tel: 01934 744466  
email: sales@vado.com  
www.vado.com

**where inspiration flows**  
taps | showering | accessories

