

SPECIFICATION SHEET

COLLECTION: ORIGINS

PRODUCT CODE: IND-ORI147A-BG



DESCRIPTION:

concealed shower valve with diverter
single lever
wall mounted
ceramic cartridge CAR-K35A
2 x 1/2" female inlets
2 x 1/2" female outlets
min-max wall mount 70-95mm
optimum installation depth 83mm
minimum operating pressure 0.2 bar LP shower / 1.5 bar MP bath

FINISH:

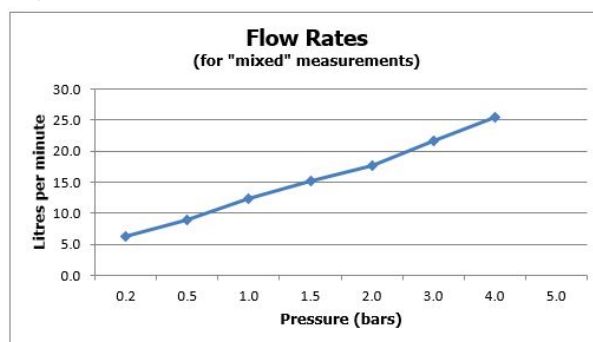
Bright Gold

MINIMUM OPERATING PRESSURE:

0.2 bar LP (shower) 1.5 bar MP (bath)

FLOW RATE AT 3.0 BAR FLOW PRESSURE:

22 l/min



tel: 01934 744466
email: sales@vado.com
www.vado.com

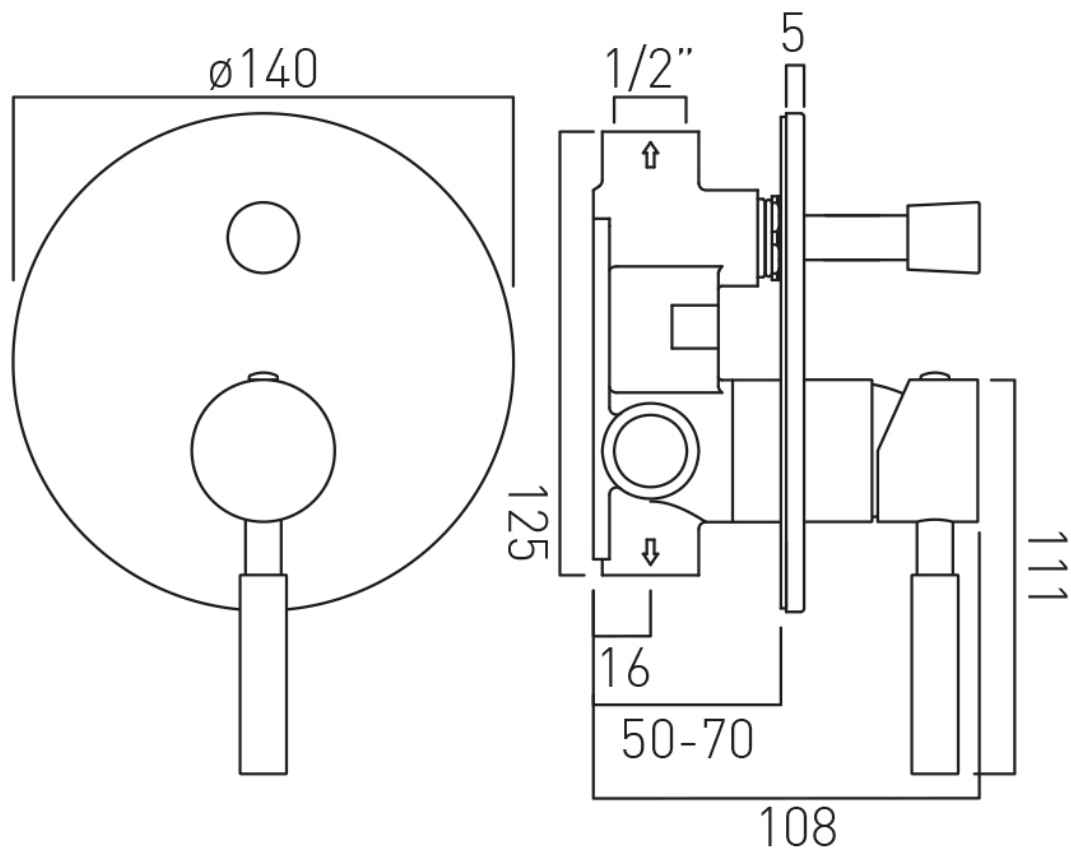
where inspiration flows
taps | showering | accessories



TECHNICAL DRAWING

COLLECTION: ORIGINS

PRODUCT CODE: IND-ORI147A-BG



tel: 01934 744466
email: sales@vado.com
www.vado.com

where inspiration flows
taps | showering | accessories

