

SPECIFICATION SHEET

COLLECTION: EDIT

PRODUCT CODE: IND-EDI145A-BRG



DESCRIPTION:

concealed 1 outlet shower valve
single lever
wall mounted
with rectangular backplate
ceramic cartridge CAR-K35A
2 x 1/2" female inlets
2 x 1/2" female outlets (one is blanked off)
min-max wall mount 40-65mm
minimum operating pressure 0.5 bar LP (shower) / 1.5 bar MP (bath)

FINISH:

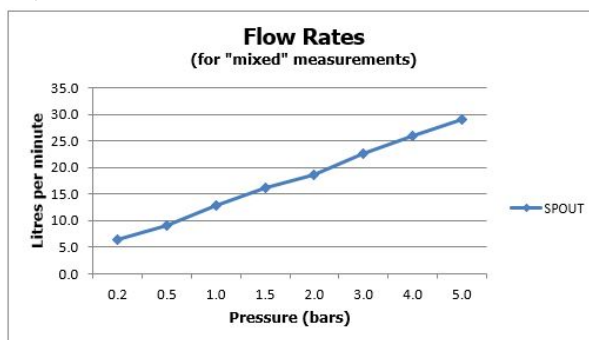
Brushed Gold

MINIMUM OPERATING PRESSURE:

0.2 bar LP (shower) 1.5 bar MP (bath)

FLOW RATE AT 3.0 BAR FLOW PRESSURE:

23 l/min



tel: 01934 744466
email: sales@vado.com
www.vado.com

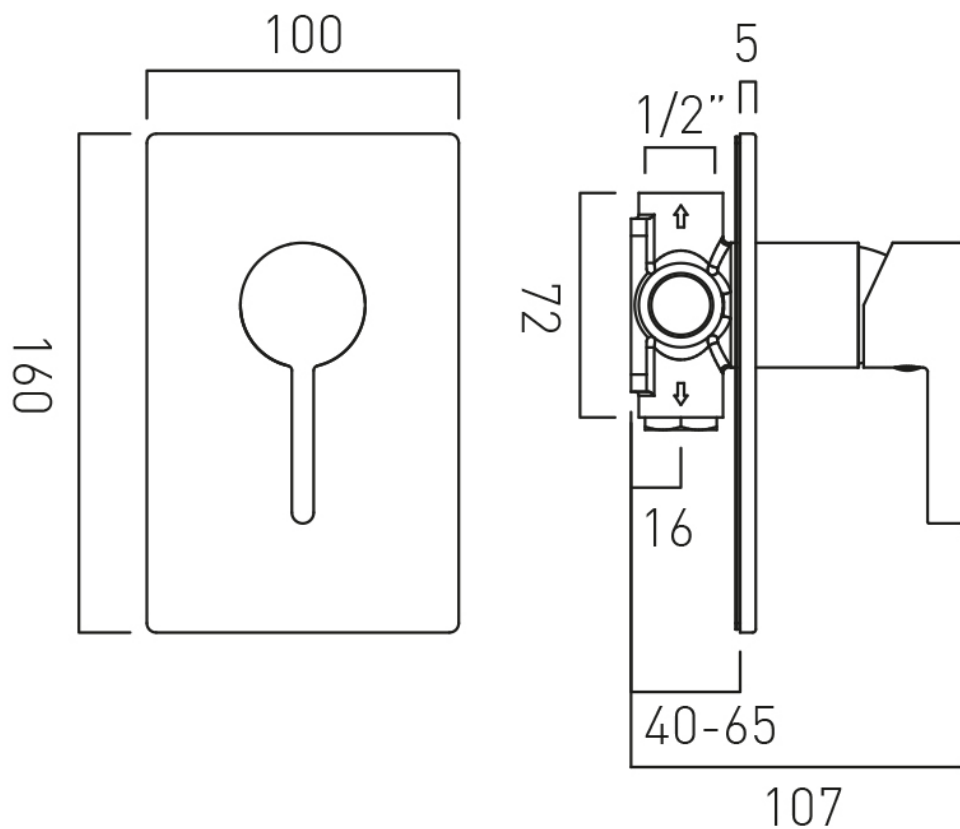
where inspiration flows
taps | showering | accessories



TECHNICAL DRAWING

COLLECTION: EDIT

PRODUCT CODE: IND-EDI145A-BRG



tel: 01934 744466
email: sales@vado.com
www.vado.com

where inspiration flows
taps | showering | accessories

