

SPECIFICATION SHEET

COLLECTION: EDIT

PRODUCT CODE: IND-EDI100E/SB-BRN



DESCRIPTION:

extended mono basin mixer
single lever
deck mounted
smooth bodied without universal basin waste
minimum operating pressure 1.0 bar MP

FINISH:

Brushed Nickel

FLOW REGULATOR:

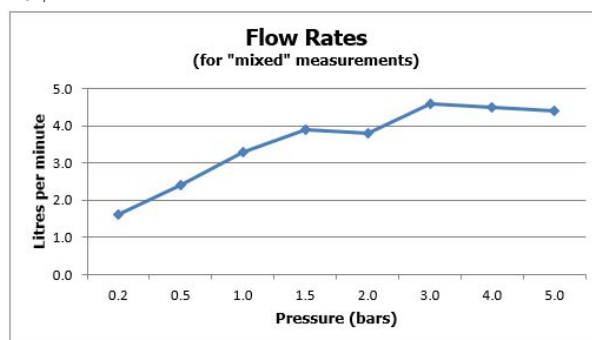
flow regulator fitted as standard

MINIMUM OPERATING PRESSURE:

1.0 bar MP

FLOW RATE AT 3.0 BAR FLOW PRESSURE:

4.5 l/min



tel: 01934 744466
email: sales@vado.com
www.vado.com

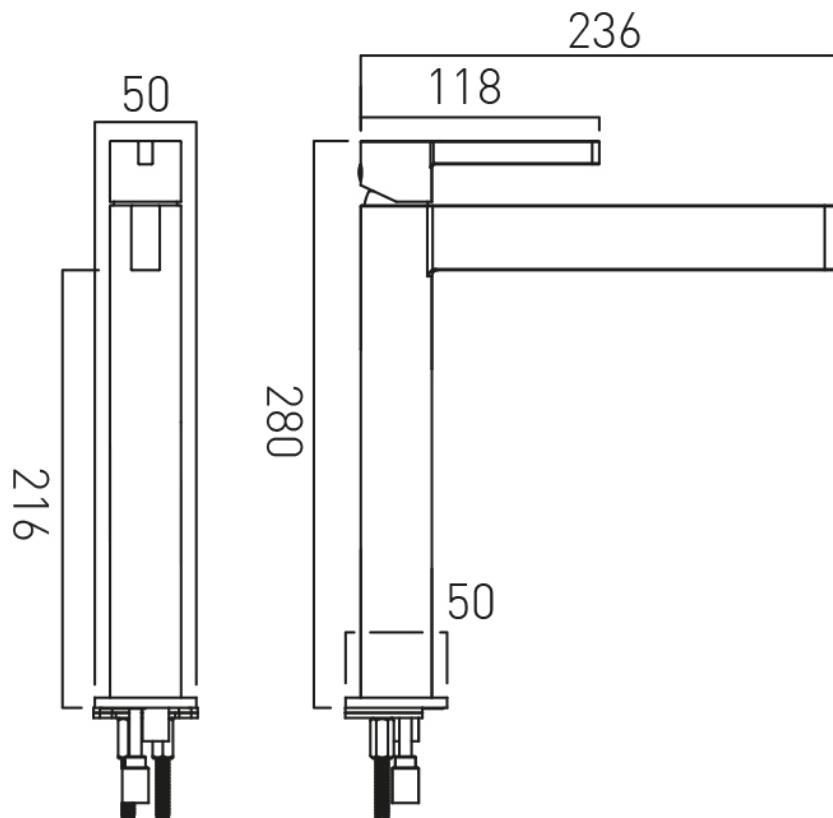
where inspiration flows
taps | showering | accessories



TECHNICAL DRAWING

COLLECTION: EDIT

PRODUCT CODE: IND-EDI100E/SB-BRN



tel: 01934 744466
email: sales@vado.com
www.vado.com

where inspiration flows
taps | showering | accessories

