

---

# TECHNICAL DRAWING

**COLLECTION:** SENSORI

**PRODUCT CODE:** IND-DIA-REMOTE-BLK

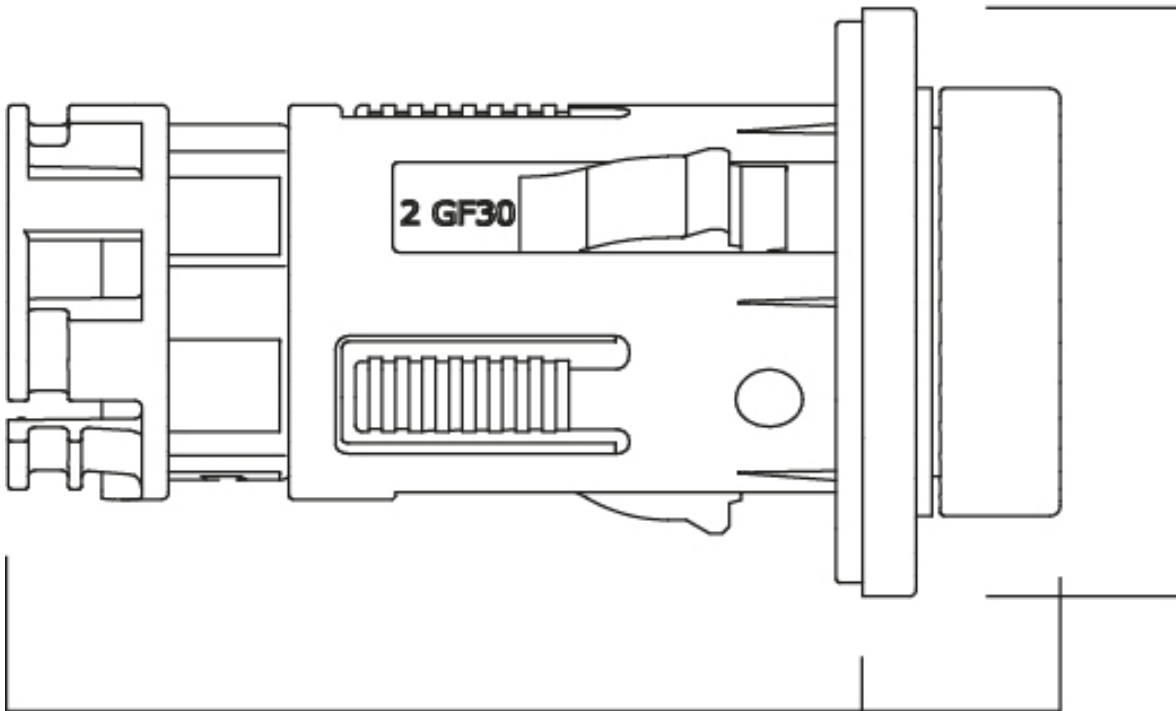
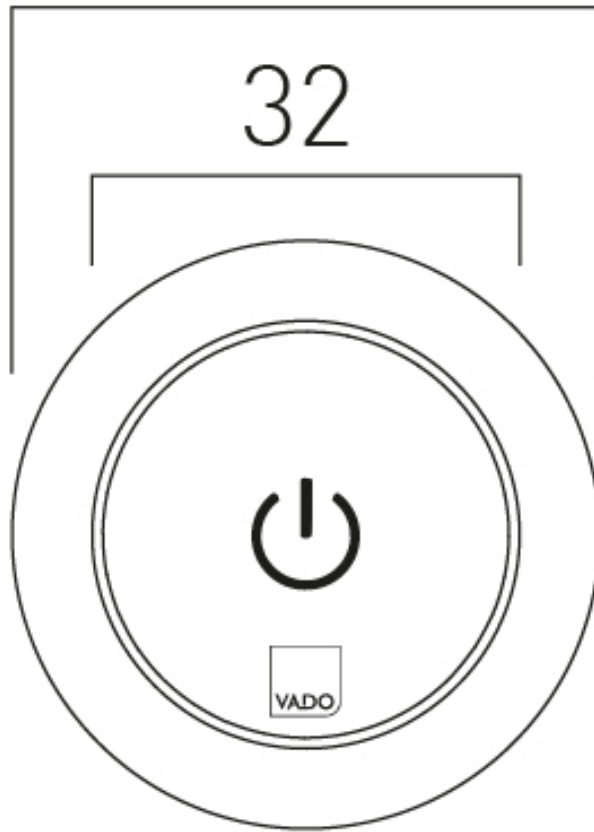
tel: 01934 744466  
email: [sales@vado.com](mailto:sales@vado.com)  
[www.vado.com](http://www.vado.com)

**where inspiration flows**  
taps | showering | accessories



44

32



44

tel:  
em:  
ww

Min.56 - Max.76 15

