

# SPECIFICATION SHEET

**COLLECTION:** SENSORI

**PRODUCT CODE:** IND-DIA-REMOTE-BLK



**DESCRIPTION:**

Sensori SmartDial  
start/stop fixed remote (Situating max. 10m from control unit)  
wall mounted  
minimum operating pressure 1.0 bar MP

**FINISH:**

Brushed Black

**MINIMUM OPERATING PRESSURE:**

1.0 bar MP



tel: 01934 744466  
email: [sales@vado.com](mailto:sales@vado.com)  
[www.vado.com](http://www.vado.com)

**where inspiration flows**  
taps | showering | accessories



---

# TECHNICAL DRAWING

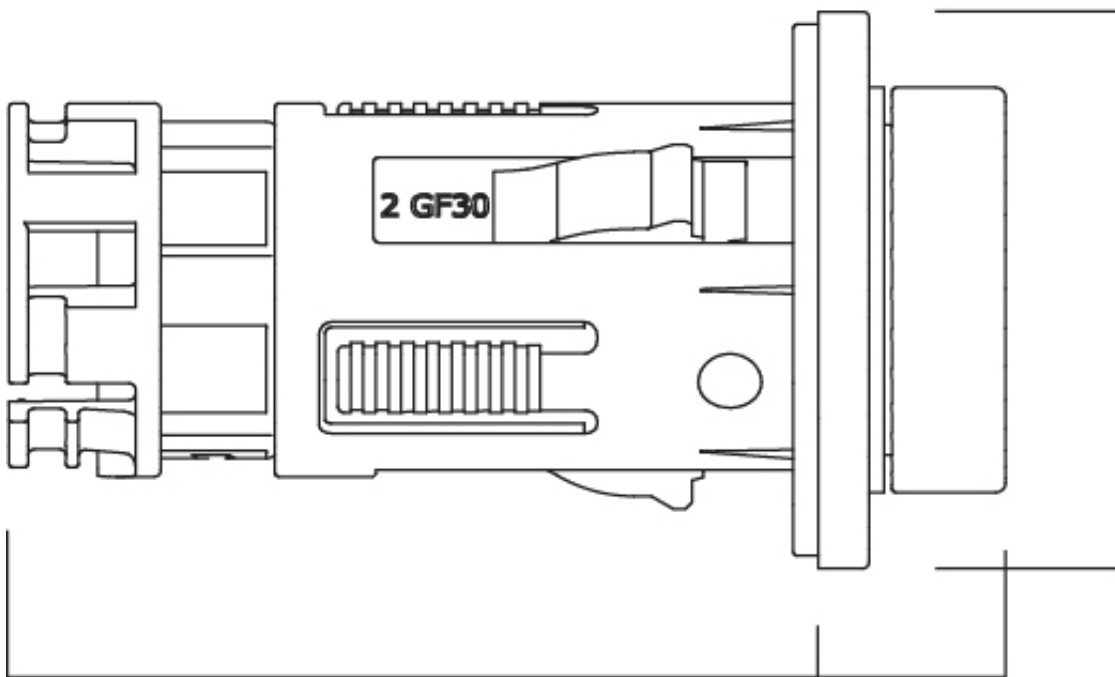
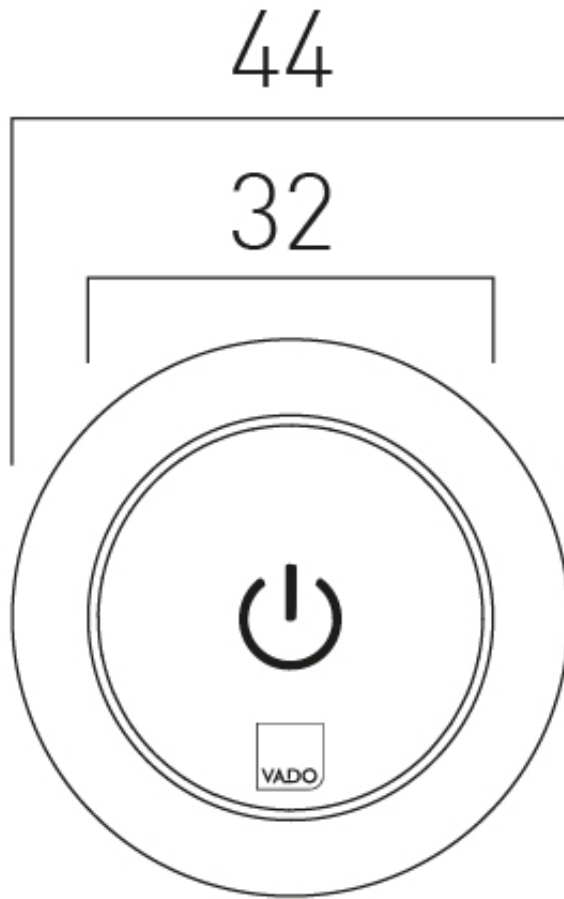
**COLLECTION:** SENSORI

**PRODUCT CODE:** IND-DIA-REMOTE-BLK

tel: 01934 744466  
email: [sales@vado.com](mailto:sales@vado.com)  
[www.vado.com](http://www.vado.com)

**where inspiration flows**  
taps | showering | accessories





Min.56 - Max.76 15

tel: 01  
 email: [sales@vado.com](mailto:sales@vado.com)  
[www.vado.com](http://www.vado.com)

where inspiration flows  
 taps | showering | accessories

