

SPECIFICATION SHEET

COLLECTION: ELEMENTS

PRODUCT CODE: ELW-101F-C/P



DESCRIPTION:

3 hole basin mixer
deck mounted
with swivel spout
with pop-up waste
with water flow aerator
cold ceramic cartridge C-206-RTC
hot ceramic cartridge C-206-LTC
2 x 1/2" nut x 600mm flexipipe connections
valve deck mount drill hole diameter 27mm
spout deck mount drill hole diameter 30mm
minimum operating pressure 0.2 bar LP

FINISH:

Chrome

FLOW REGULATOR:

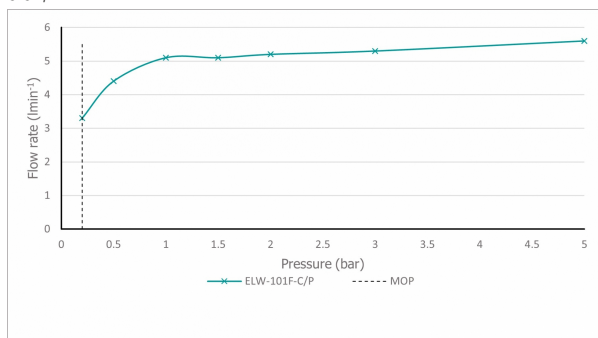
FR-100/5-PLA

MINIMUM OPERATING PRESSURE:

0.2 bar LP

FLOW RATE AT 3.0 BAR FLOW PRESSURE:

5.3 l/m



tel: 01934 744466
email: sales@vado.com
www.vado.com

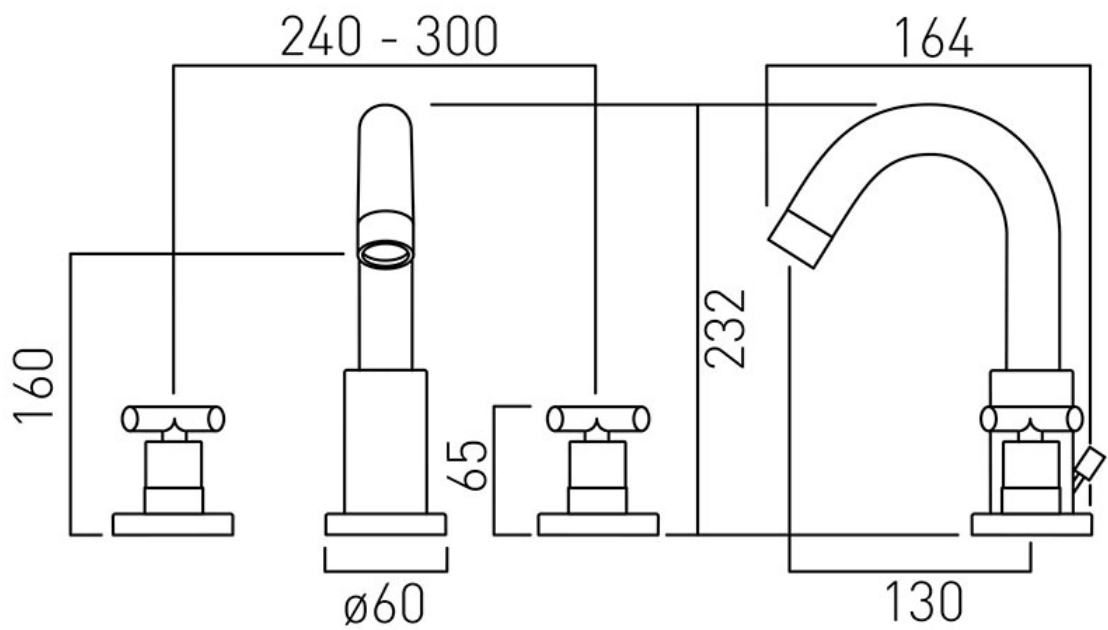
where inspiration flows
taps | showering | accessories



TECHNICAL DRAWING

COLLECTION: ELEMENTS

PRODUCT CODE: ELW-101F-C/P



tel: 01934 744466
email: sales@vado.com
www.vado.com

where inspiration flows
taps | showering | accessories

