

SPECIFICATION SHEET

COLLECTION: EDIT

PRODUCT CODE: EDI-130+K-CP



DESCRIPTION:

2 hole bath shower mixer
deck mounted
with Atmosphere single function air-injection
shower kit
cold ceramic cartridge C-302-RTC
hot ceramic cartridge C-302-LTC
2 x 3/4" x 50mm fitted tails
deck mount drill hole diameter 2 x 28-30mm
minimum operating pressure 1.0 bar MP

FINISH:

Chrome

FLOW REGULATOR:

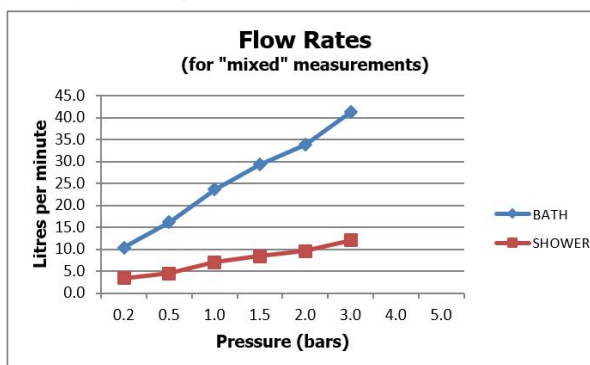
FR-SHOWER/9-C/P

MINIMUM OPERATING PRESSURE:

1.0 bar MP

FLOW RATE AT 3.0 BAR FLOW PRESSURE:

Bath: 41, Shower: 12 l/min



tel: 01934 744466
email: sales@vado.com
www.vado.com

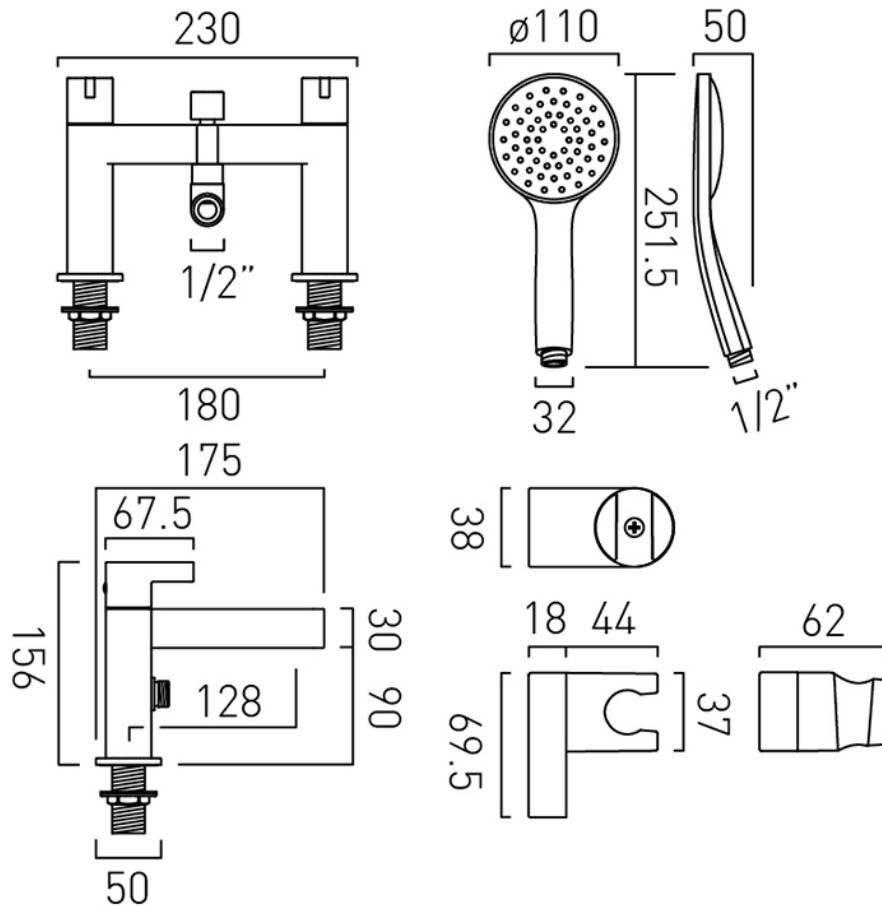
where inspiration flows
taps | showering | accessories



TECHNICAL DRAWING

COLLECTION: EDIT

PRODUCT CODE: EDI-130+K-CP



tel: 01934 744466
email: sales@vado.com
www.vado.com

where inspiration flows
taps | showering | accessories

