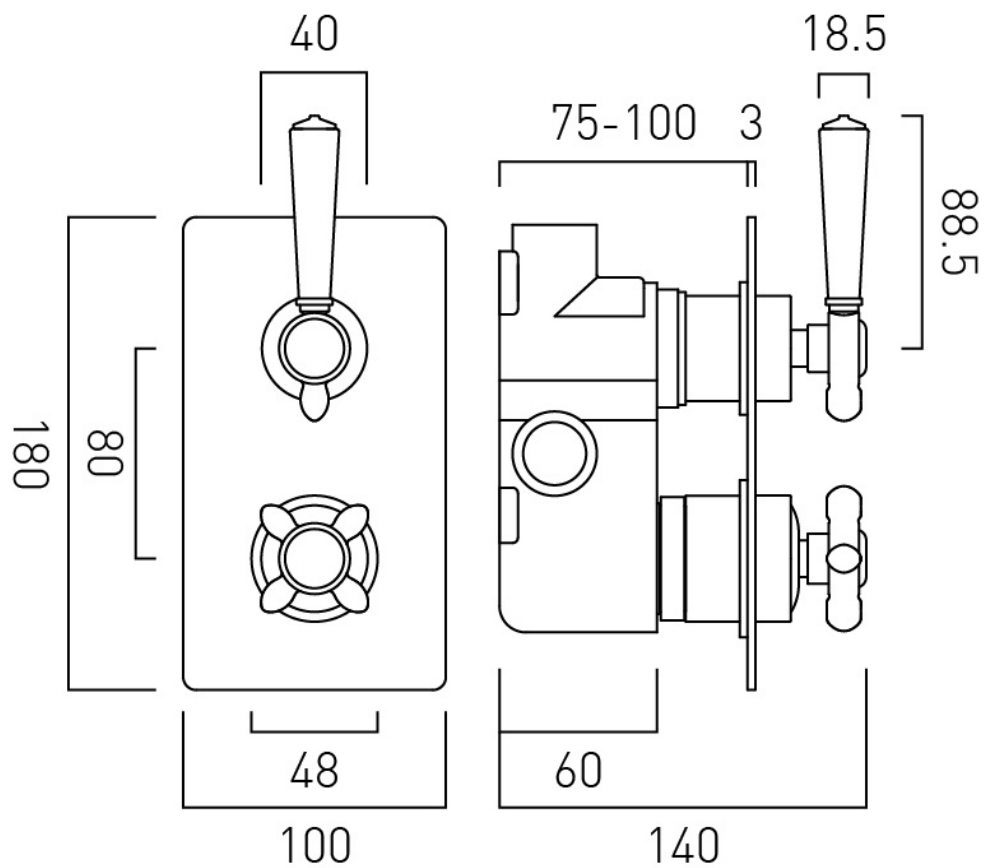


# TECHNICAL DRAWING

**COLLECTION:** AXBRIDGE

**PRODUCT CODE:** BC-AXB-148-CP



**BOOTH & Co.**  
ENGLAND

Timeless Design. Pioneering Performance.

Your journey to distinction awaits.

01934 744466 | sales@vado.com | www.vado.com/booth-and-co