

SPECIFICATION SHEET

COLLECTION: AXBRIDGE

PRODUCT CODE: BC-AXB-148-CP



DESCRIPTION:

Axbridge
1 Outlet 2 Handle Thermostatic Valve
wall mounted
thermostatic cartridge V-701-34S
Flow cartridge FL-301-RTC
2 x 3/4" female inlets
1 x 3/4" female outlet
includes 3/4" - 1/2" adaptors
supplied with mortar/tile guard
min-max wall mount 75-100mm
minimum operating pressure
0.2 bar LP (shower) 1.0 bar MP (bath)

FINISH:

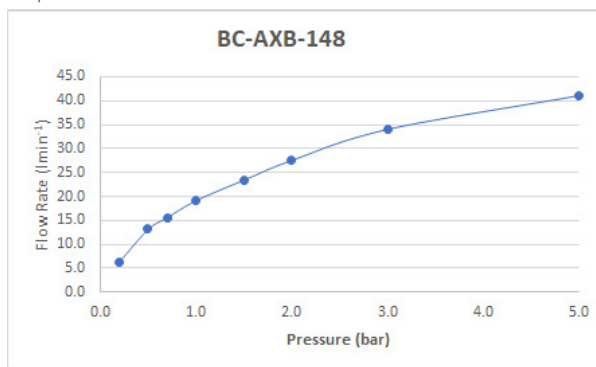
Chrome

MINIMUM OPERATING PRESSURE:

0.2 bar LP (shower) 1.0 bar MP (bath)

FLOW RATE AT 3.0 BAR FLOW PRESSURE:

41 l/min



BOOTH & Co.
ENGLAND

Timeless Design. Pioneering Performance.

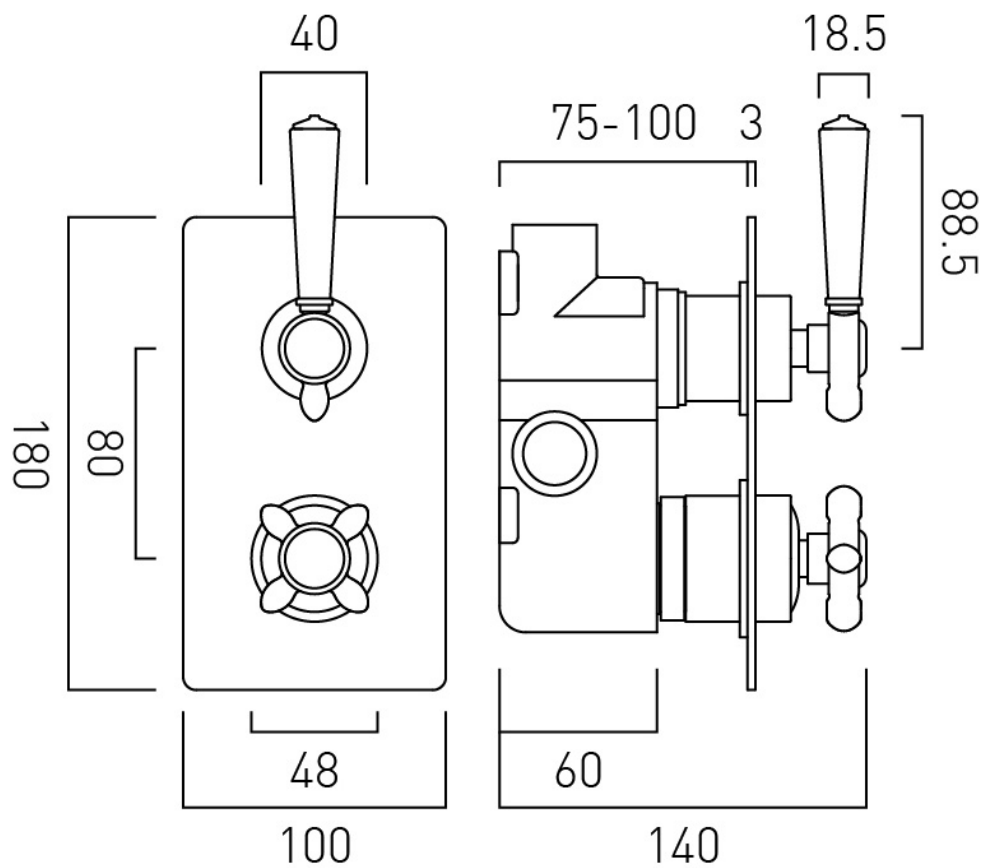
Your journey to distinction awaits.

01934 744466 | sales@vado.com | www.vado.com/booth-and-co

TECHNICAL DRAWING

COLLECTION: AXBRIDGE

PRODUCT CODE: BC-AXB-148-CP



BOOTH & Co.
ENGLAND

Timeless Design. Pioneering Performance.

Your journey to distinction awaits.

01934 744466 | sales@vado.com | www.vado.com/booth-and-co