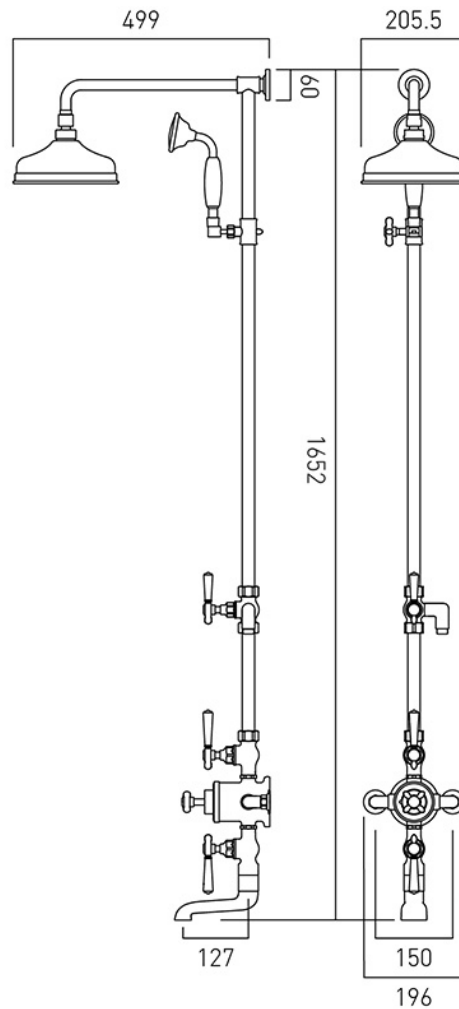


# TECHNICAL DRAWING

**COLLECTION:** AXBRIDGE

**PRODUCT CODE:** BC-AXB-123/RRK-CP



Timeless Design. Pioneering Performance.

**BOOTH & Co.**  
ENGLAND

*Your journey to distinction awaits.*

01934 744466 | sales@vado.com | www.vado.com/booth-and-co