

---

# SPECIFICATION SHEET

**COLLECTION:** AXBRIDGE

**PRODUCT CODE:** BC-AXB-123/RRK-BN



**DESCRIPTION:**

Axbridge  
exposed thermostatic shower valve with bath filler  
wall mounted  
cold ceramic cartridge FL-511-RTC  
hot ceramic cartridge FL-511-LTC  
minimum operating pressure 1.0 bar MP

**FINISH:**

Bright Nickel

**MINIMUM OPERATING PRESSURE:**

1.0 bar MP



---

Timeless Design. Pioneering Performance.

**BOOTH & Co.**  
ENGLAND

---

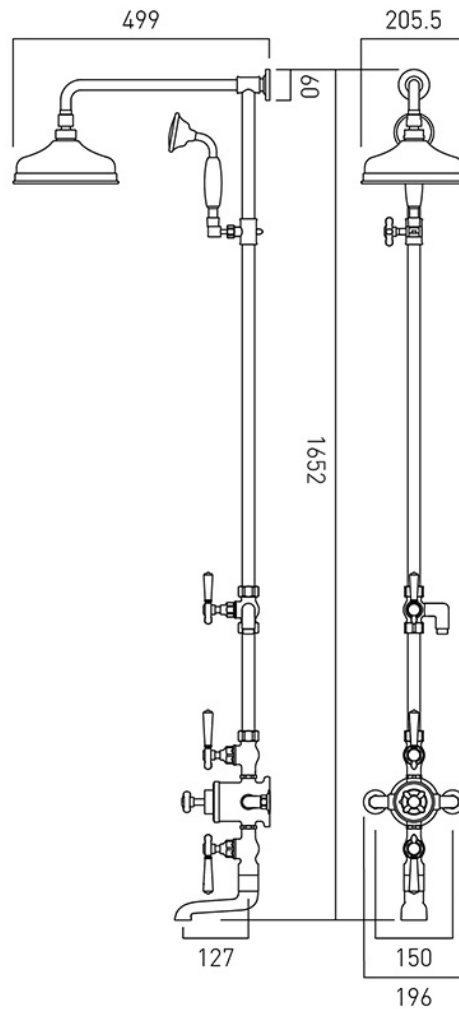
*Your journey to distinction awaits.*

01934 744466 | sales@vado.com | www.vado.com/booth-and-co

# TECHNICAL DRAWING

**COLLECTION:** AXBRIDGE

**PRODUCT CODE:** BC-AXB-123/RRK-BN



Timeless Design. Pioneering Performance.

**BOOTH & Co.**  
ENGLAND

*Your journey to distinction awaits.*

01934 744466 | sales@vado.com | www.vado.com/booth-and-co