

.....

# SPECIFICATION SHEET

COLLECTION: SIRKEL  
PRODUCT CODE: AX-WG-218-CP



**DESCRIPTION:**

wall outlet  
1/2" threaded inlet  
1/2" threaded outlet

**FINISH:**

Chrome



**CONTACT**

SALES: 01934 744466  
AFTERSALES: 01934 745163  
EMAIL: SALES@VADO.COM

.....  
[WWW.VADO.COM/AXCES](http://WWW.VADO.COM/AXCES)

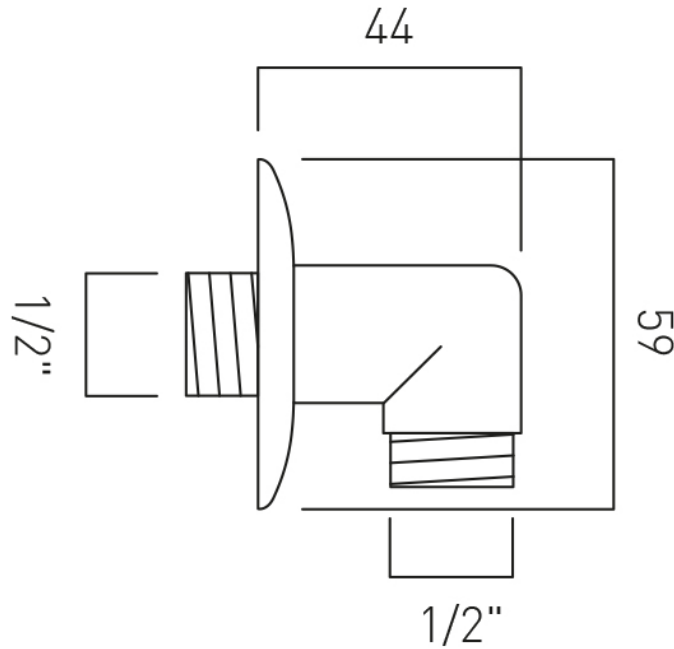
AXCES  
by VADO

.....

# TECHNICAL DRAWING

COLLECTION: SIRKEL

PRODUCT CODE: AX-WG-218-CP



## CONTACT

SALES: 01934 744466

AFTERSALES: 01934 745163

EMAIL: SALES@VADO.COM

[WWW.VADO.COM/AXCES](http://WWW.VADO.COM/AXCES)

AXCES  
by VADO