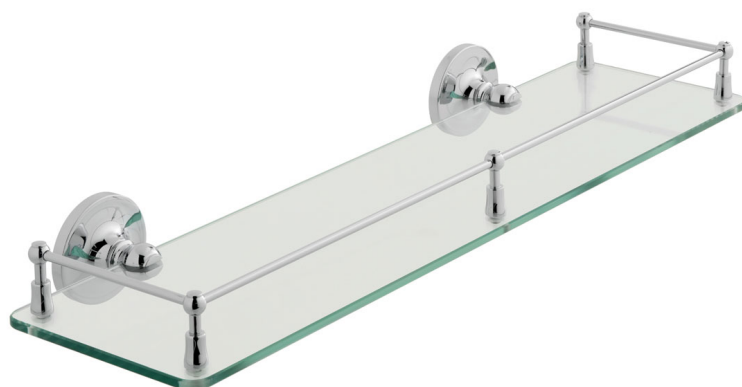


.....

# SPECIFICATION SHEET

**COLLECTION:** TOURNAMENT  
**PRODUCT CODE:** AX-TOU-185A-CP



**DESCRIPTION:**  
clear glass galley shelf  
wall mounted  
510mm (20")

**FINISH:**  
Chrome



**CONTACT**  
SALES: 01934 744466  
AFTERSALES: 01934 745163  
EMAIL: SALES@VADO.COM

.....  
[WWW.VADO.COM/AXCES](http://WWW.VADO.COM/AXCES)

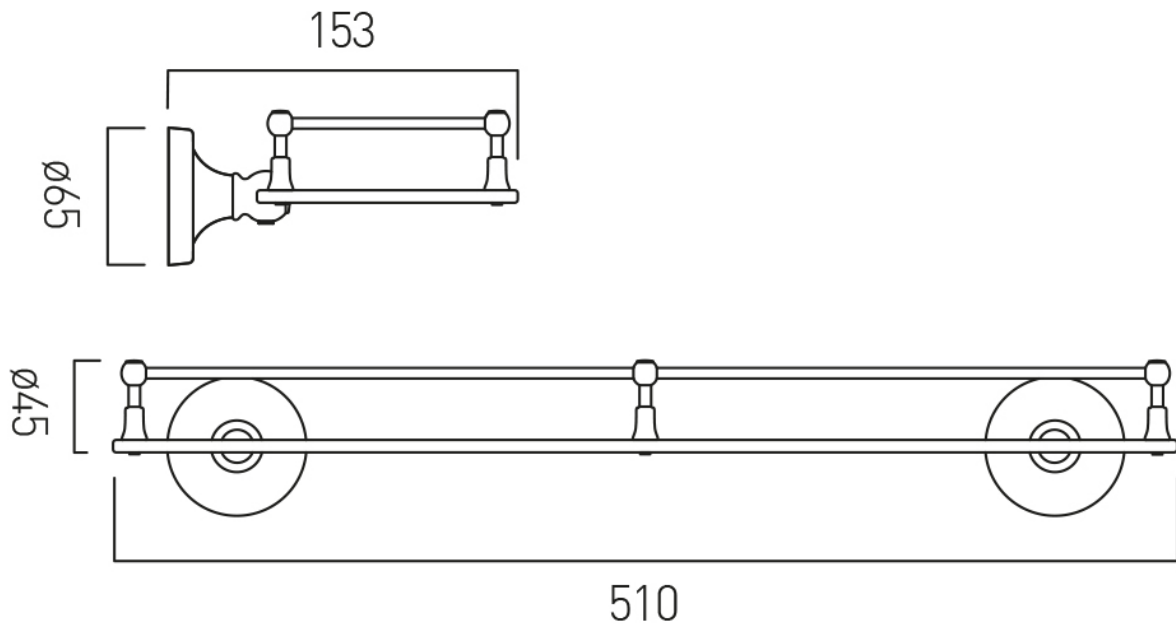
**AXCES**  
by VADO

.....

# TECHNICAL DRAWING

COLLECTION: TOURNAMENT

PRODUCT CODE: AX-TOU-185A-CP



## CONTACT

SALES: 01934 744466

AFTERSALES: 01934 745163

EMAIL: SALES@VADO.COM

WWW.VADO.COM/AXCES

AXCES  
by VADO