

.....

# SPECIFICATION SHEET

COLLECTION: TOURNAMENT  
PRODUCT CODE: AX-TOU-181-CP



**DESCRIPTION:**

towel ring  
wall mounted

**FINISH:**

Chrome



**CONTACT**

SALES: 01934 744466

AFTERSALES: 01934 745163

EMAIL: SALES@VADO.COM

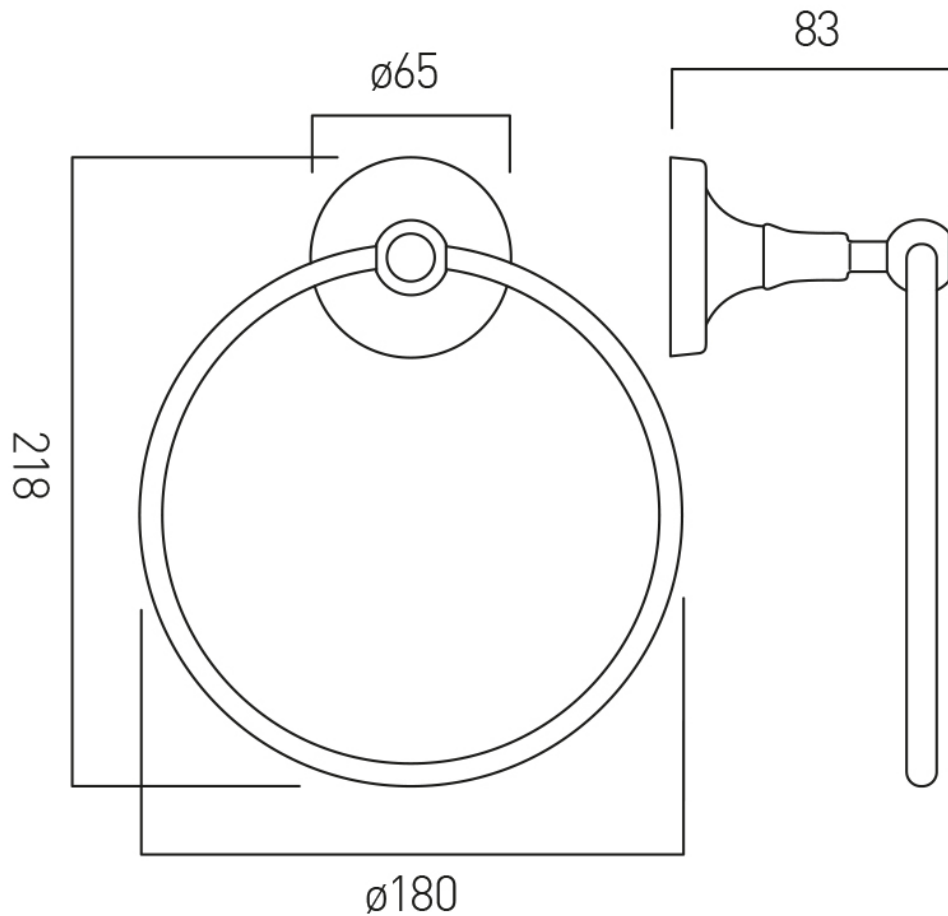
.....  
[WWW.VADO.COM/AXCES](http://WWW.VADO.COM/AXCES)

**AXCES**  
by VADO

.....

# TECHNICAL DRAWING

COLLECTION: TOURNAMENT  
PRODUCT CODE: AX-TOU-181-CP



## CONTACT

SALES: 01934 744466

AFTERSALES: 01934 745163

EMAIL: SALES@VADO.COM

WWW.VADO.COM/AXCES

AXCES  
by VADO