

.....

SPECIFICATION SHEET

COLLECTION: TOURNAMENT
PRODUCT CODE: AX-TOU-180A-CP



DESCRIPTION:
closed paper holder
wall mounted

FINISH:
Chrome



CONTACT

SALES: 01934 744466

AFTERSALES: 01934 745163

EMAIL: SALES@VADO.COM

WWW.VADO.COM/AXCES

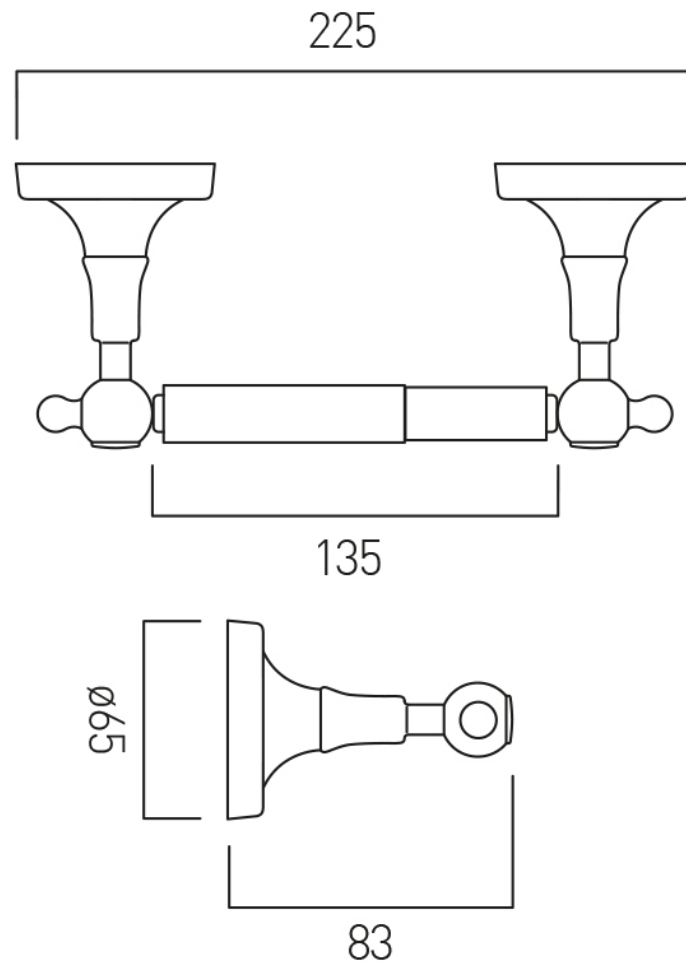
AXCES
by VADO

.....

TECHNICAL DRAWING

COLLECTION: TOURNAMENT

PRODUCT CODE: AX-TOU-180A-CP



CONTACT

SALES: 01934 744466

AFTERSALES: 01934 745163

EMAIL: SALES@VADO.COM

WWW.VADO.COM/AXCES

AXCES
by VADO