

.....

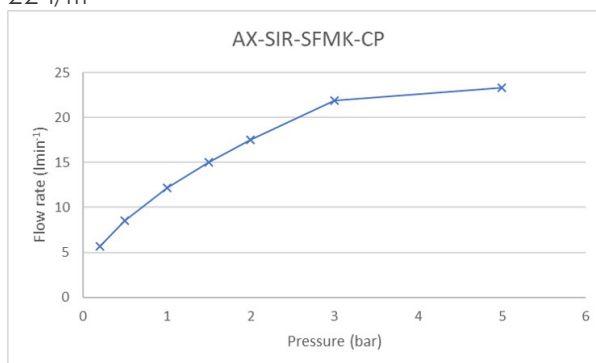
SPECIFICATION SHEET

COLLECTION: SIRKEL
PRODUCT CODE: AX-SIR-SFMK-CP



DESCRIPTION:
single function mini shower kit
wall mounted
with 150cm hose and bracket
minimum operating pressure 1.0 bar

FINISH:
Chrome
MINIMUM OPERATING PRESSURE:
0.2 bar LP
FLOW RATE AT 3.0 BAR FLOW PRESSURE:
22 l/m



CONTACT
SALES: 01934 744466
AFTERSALES: 01934 745163
EMAIL: SALES@VADO.COM

WWW.VADO.COM/AXCES

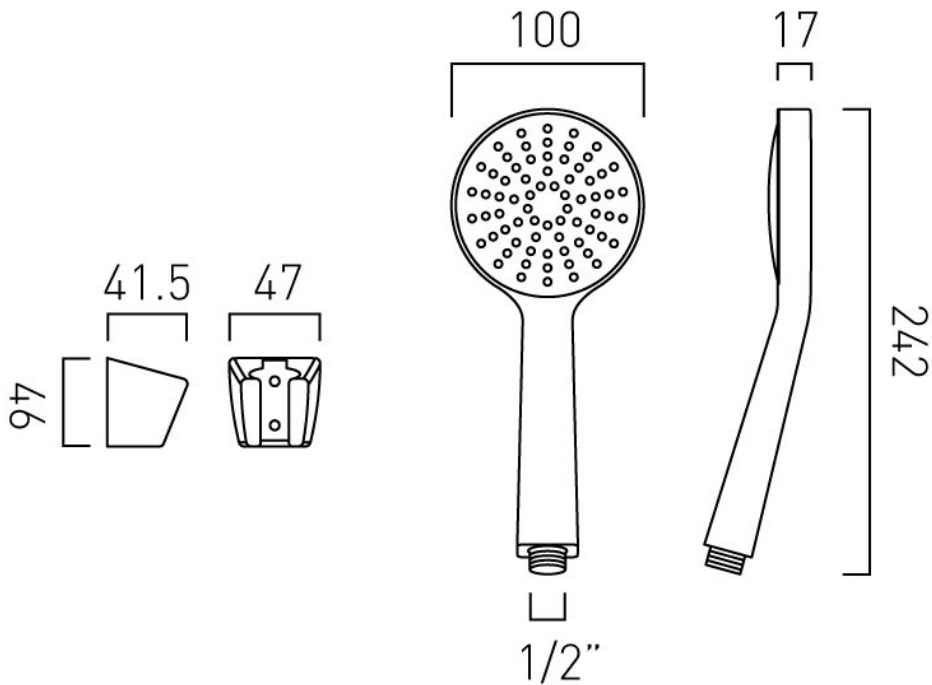
AXCES
by VADO

.....

TECHNICAL DRAWING

COLLECTION: SIRKEL

PRODUCT CODE: AX-SIR-SFMK-CP



CONTACT

SALES: 01934 744466

AFTERSALES: 01934 745163

EMAIL: SALES@VADO.COM

WWW.VADO.COM/AXCES

AXCES
by VADO