

.....

SPECIFICATION SHEET

COLLECTION: SIRKEL
PRODUCT CODE: AX-SIR-181-CP



DESCRIPTION:

towel ring
wall mounted

FINISH:

Chrome



CONTACT

SALES: 01934 744466

AFTERSALES: 01934 745163

EMAIL: SALES@VADO.COM

WWW.VADO.COM/AXCES

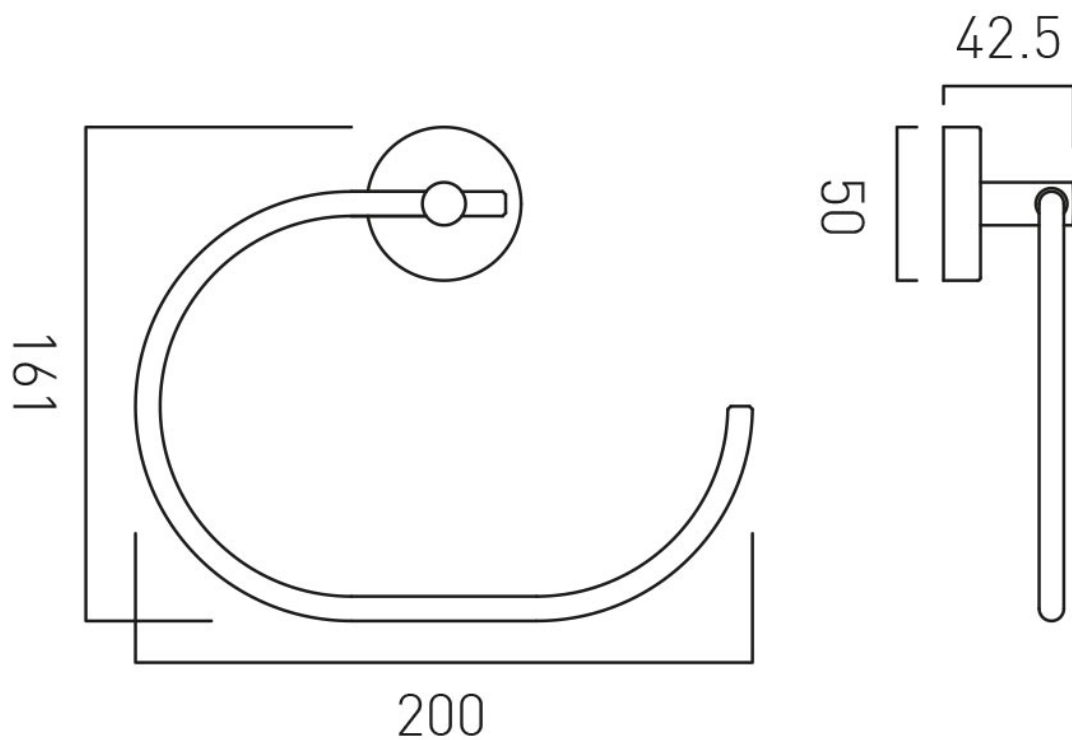
AXCES
by VADO

.....

TECHNICAL DRAWING

COLLECTION: SIRKEL

PRODUCT CODE: AX-SIR-181-CP



CONTACT

SALES: 01934 744466

AFTERSALES: 01934 745163

EMAIL: SALES@VADO.COM

WWW.VADO.COM/AXCES

AXCES
by VADO