

.....

SPECIFICATION SHEET

COLLECTION: SIRKEL
PRODUCT CODE: AX-SIR-180-CP



DESCRIPTION:
paper holder
wall mounted

FINISH:
Chrome



CONTACT
SALES: 01934 744466
AFTERSALES: 01934 745163
EMAIL: SALES@VADO.COM

WWW.VADO.COM/AXCES

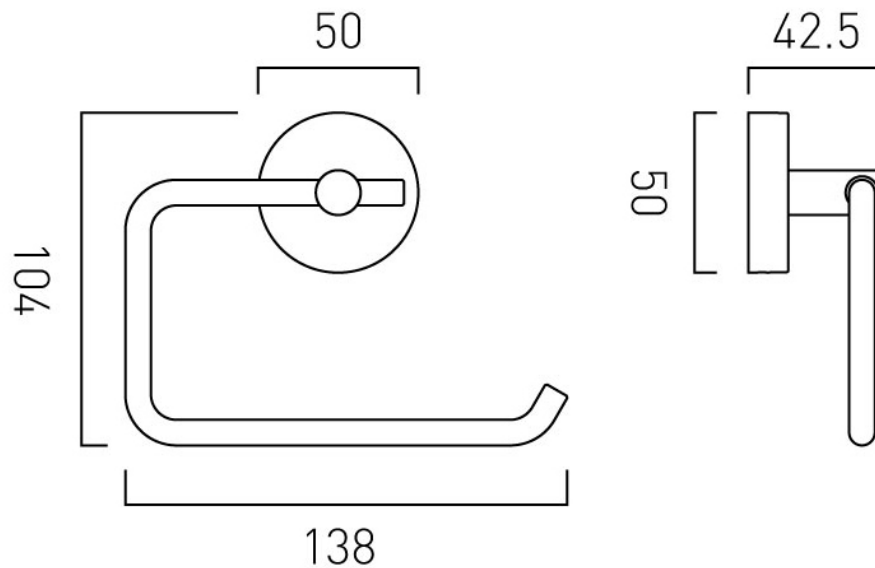
AXCES
by VADO

.....

TECHNICAL DRAWING

COLLECTION: SIRKEL

PRODUCT CODE: AX-SIR-180-CP



CONTACT

SALES: 01934 744466

AFTERSALES: 01934 745163

EMAIL: SALES@VADO.COM

WWW.VADO.COM/AXCES

AXCES
by VADO