

.....

# SPECIFICATION SHEET

COLLECTION: SIRKEL  
PRODUCT CODE: AX-SIR-140/RO



**DESCRIPTION:**

round bath spout  
wall mounted  
1/2" male inlet  
minimum operating pressure 0.2 bar  
LP

**FINISH:**

Chrome

**MINIMUM OPERATING PRESSURE:**

0.2 bar LP



**CONTACT**

SALES: 01934 744466

AFTERSALES: 01934 745163

EMAIL: SALES@VADO.COM

.....  
[WWW.VADO.COM/AXCES](http://WWW.VADO.COM/AXCES)

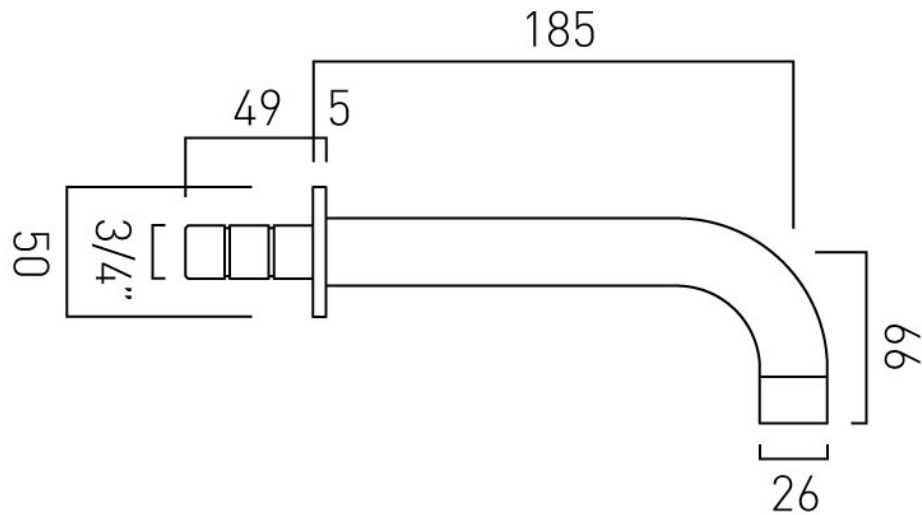
AXCES  
by VADO

.....

# TECHNICAL DRAWING

COLLECTION: SIRKEL

PRODUCT CODE: AX-SIR-140/RO



## CONTACT

SALES: 01934 744466

AFTERSALES: 01934 745163

EMAIL: SALES@VADO.COM

WWW.VADO.COM/AXCES

AXCES  
by VADO