

.....

SPECIFICATION SHEET

COLLECTION: PROJECT LINE
PRODUCT CODE: AX-PRO-300-CP



DESCRIPTION:

medical mixer
single long lever
deck mounted
smooth bodied
ceramic cartridge CAR-K40B
2 x 1/2" nut x 300mm flexipipe
connections
deck mount drill hole diameter 35mm
minimum operating pressure 0.2 bar
LP

FINISH:

Chrome

FLOW REGULATOR:

FR-100/5-PLA

MINIMUM OPERATING PRESSURE:

0.2 bar LP



CONTACT

SALES: 01934 744466

AFTERSALES: 01934 745163

EMAIL: SALES@VADO.COM

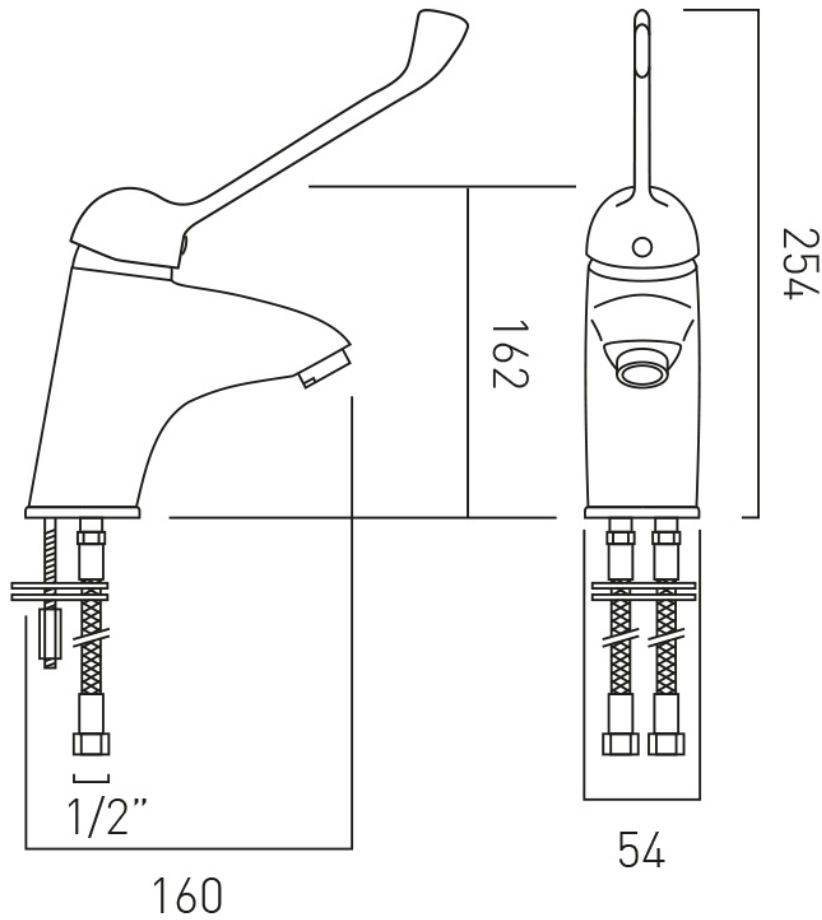
WWW.VADO.COM/AXCES

AXCES
by **VADO**

.....

TECHNICAL DRAWING

COLLECTION: PROJECT LINE
PRODUCT CODE: AX-PRO-300-CP



CONTACT

SALES: 01934 744466

AFTERSALES: 01934 745163

EMAIL: SALES@VADO.COM

WWW.VADO.COM/AXCES

AXCES
by VADO