

.....

# SPECIFICATION SHEET

**COLLECTION:** PROJECT LINE  
**PRODUCT CODE:** AX-PRO-167/C+H-CP



**DESCRIPTION:**

single non-concussive self-closing basin push tap  
deck mounted  
automatic shut off  
supplied with hot and cold indices with water flow aerator  
cartridge PRO-167/C+H/VALVE-C/P  
1/2" x 50mm threaded tail connections  
deck mount drill hole diameter 22mm  
minimum operating pressure 0.2 bar LP

**FINISH:**

Chrome

**FLOW REGULATOR:**

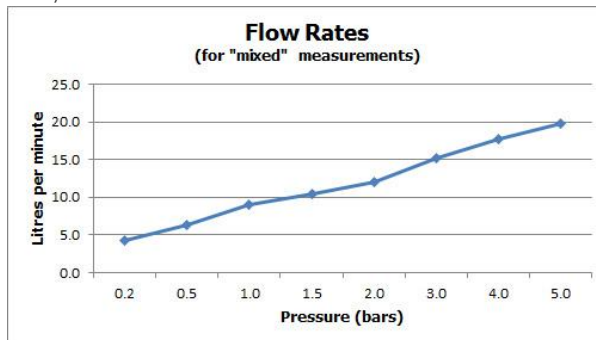
FR-100/5-PLA

**MINIMUM OPERATING PRESSURE:**

0.2 bar LP

**FLOW RATE AT 3.0 BAR FLOW PRESSURE:**

15 l/min



**CONTACT**

SALES: 01934 744466

AFTERSALES: 01934 745163

EMAIL: SALES@VADO.COM

WWW.VADO.COM/AXCES

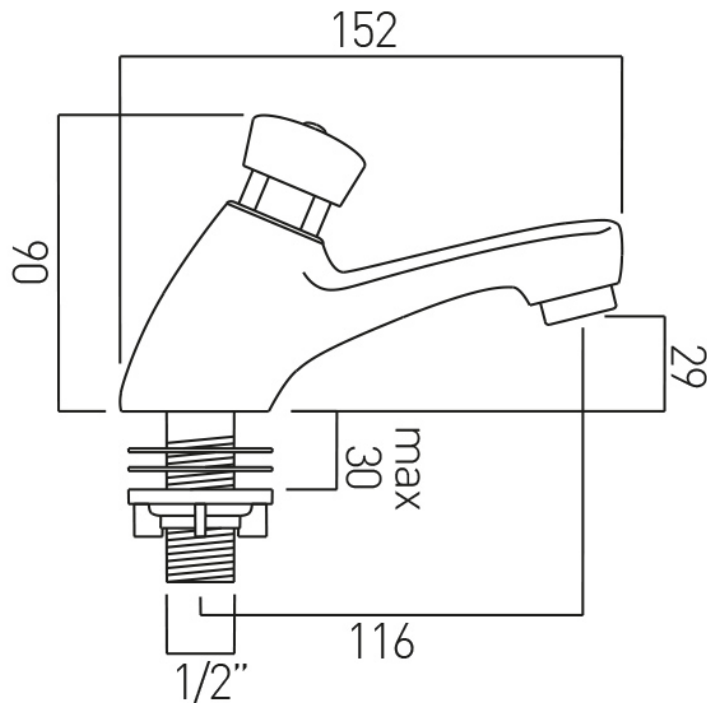
**AXCES**  
by VADO

.....

# TECHNICAL DRAWING

COLLECTION: PROJECT LINE

PRODUCT CODE: AX-PRO-167/C+H-CP



## CONTACT

SALES: 01934 744466

AFTERSALES: 01934 745163

EMAIL: SALES@VADO.COM

WWW.VADO.COM/AXCES

AXCES  
by VADO