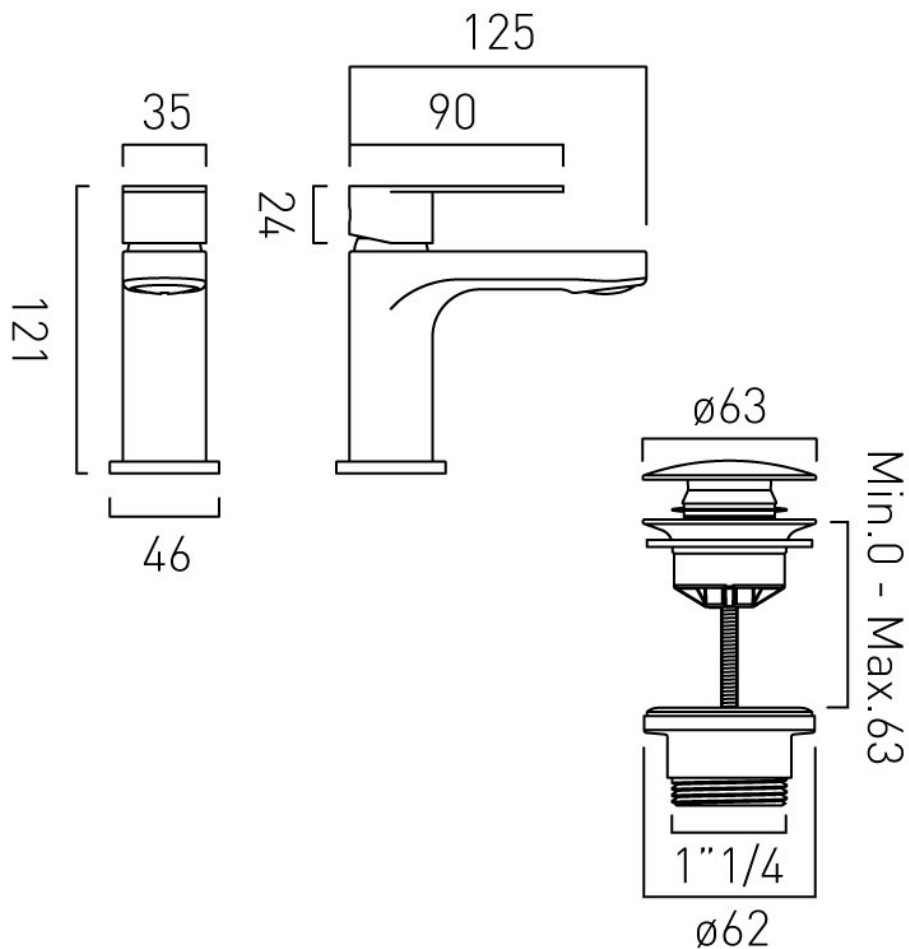


.....

TECHNICAL DRAWING

COLLECTION: METIZ

PRODUCT CODE: AX-MET-100M/CC-CP



CONTACT

SALES: 01934 744466

AFTERSALES: 01934 745163

EMAIL: SALES@VADO.COM

WWW.VADO.COM/AXCES

AXCES
by VADO