

.....

SPECIFICATION SHEET

COLLECTION: MATRIX
PRODUCT CODE: AX-MAT-137-CP



DESCRIPTION:

2 hole bath filler
deck mounted
with water flow straightener
cold ceramic cartridge MAT-
VALVE/CD/CL-3/4
hot ceramic cartridge MAT-
VALVE/CD/HT-3/4
2 x 3/4" male threaded connections
deck mount drill hole diameter 27mm
minimum operating pressure 0.2 bar
LP

FINISH:

Chrome

MINIMUM OPERATING PRESSURE:

0.2 bar LP



CONTACT

SALES: 01934 744466

AFTERSALES: 01934 745163

EMAIL: SALES@VADO.COM

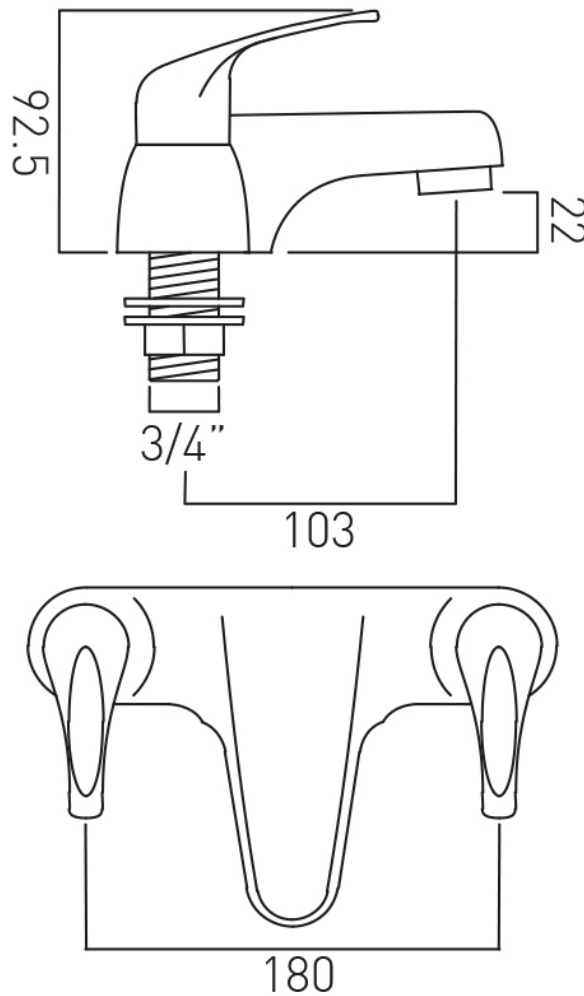
WWW.VADO.COM/AXCES

AXCES
by VADO

.....

TECHNICAL DRAWING

COLLECTION: MATRIX
PRODUCT CODE: AX-MAT-137-CP



CONTACT

SALES: 01934 744466

AFTERSALES: 01934 745163

EMAIL: SALES@VADO.COM

WWW.VADO.COM/AXCES

AXCES
by VADO