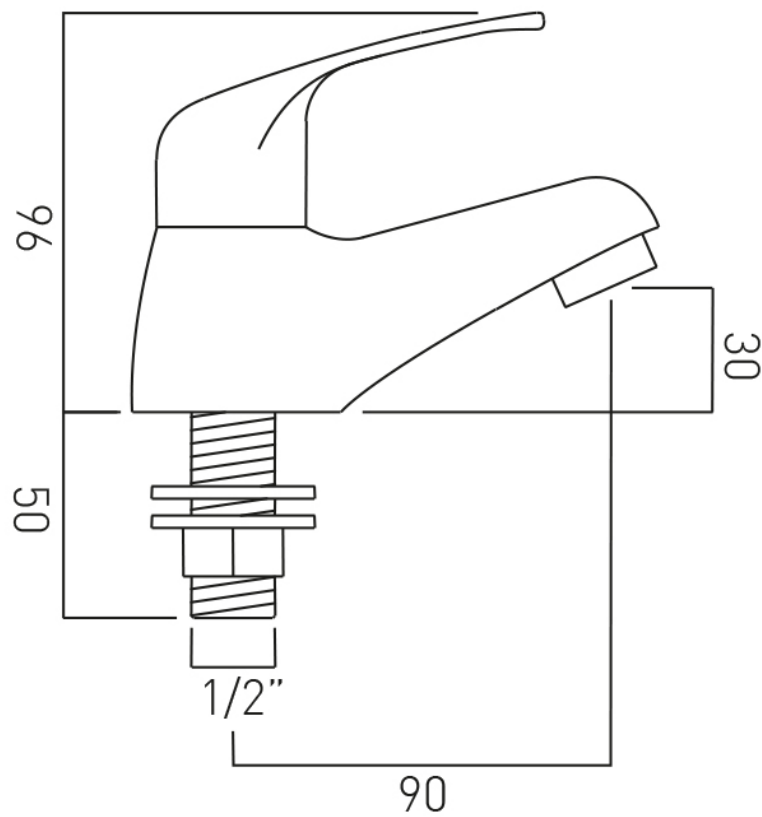


.....

# TECHNICAL DRAWING

COLLECTION: MATRIX

PRODUCT CODE: AX-MAT-106-CP



## CONTACT

SALES: 01934 744466

AFTERSALES: 01934 745163

EMAIL: SALES@VADO.COM

WWW.VADO.COM/AXCES

AXCES  
by VADO