

.....

# SPECIFICATION SHEET

COLLECTION: IRLO  
PRODUCT CODE: AX-IRO-106-CP



**DESCRIPTION:**

basin pillar taps  
1/4 turn ceramic cartridges  
deck mounted  
cold ceramic cartridge C-201-RTC  
hot ceramic cartridge C-201-LTC  
minimum operating pressure 0.2 bar  
LP

**FINISH:**

Chrome

**MINIMUM OPERATING PRESSURE:**

0.2 bar LP

**FLOW RATE AT 3.0 BAR FLOW PRESSURE:**

5.2 l/m (Single Tap)



**CONTACT**

SALES: 01934 744466

AFTERSALES: 01934 745163

EMAIL: SALES@VADO.COM

WWW.VADO.COM/AXCES

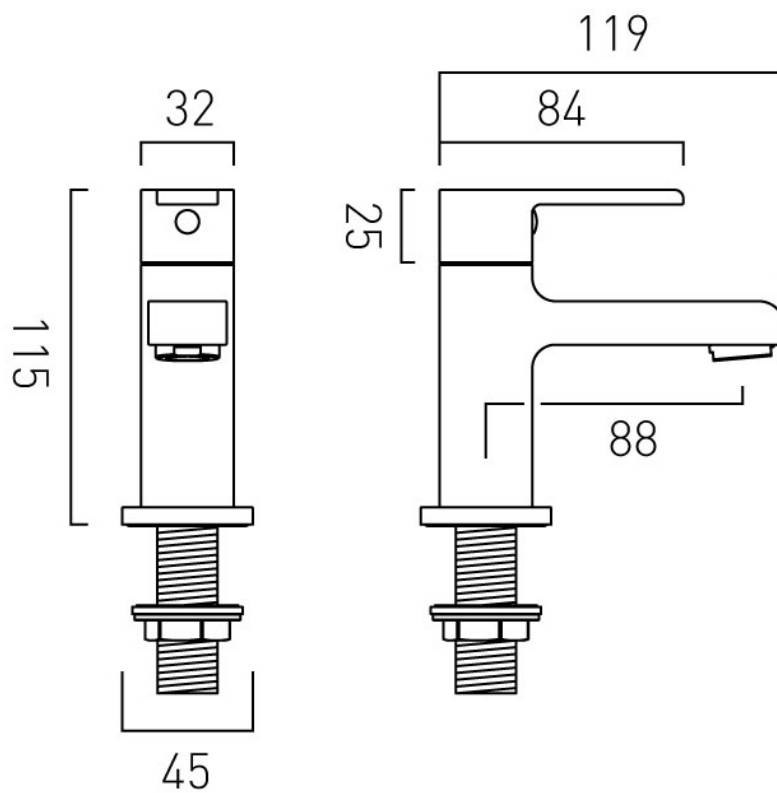
AXCES  
by VADO

.....

# TECHNICAL DRAWING

COLLECTION: IRLO

PRODUCT CODE: AX-IRO-106-CP



## CONTACT

SALES: 01934 744466

AFTERSALES: 01934 745163

EMAIL: SALES@VADO.COM

WWW.VADO.COM/AXCES

AXCES  
by VADO