

.....

SPECIFICATION SHEET

COLLECTION: EKKO
PRODUCT CODE: AX-EKO-149-CP



DESCRIPTION:

exposed manual shower valve
single lever
wall mounted
ceramic cartridge W-001-N35
2 x 1/2" inlets
1 x 1/2" shower outlet
minimum operating pressure 1.0 bar
MP

FINISH:

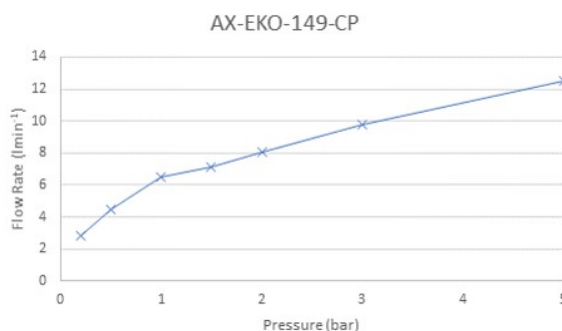
Chrome

MINIMUM OPERATING PRESSURE:

1.0 bar MP

FLOW RATE AT 3.0 BAR FLOW PRESSURE:

9.8 l/m



CONTACT

SALES: 01934 744466

AFTERSALES: 01934 745163

EMAIL: SALES@VADO.COM

WWW.VADO.COM/AXCES

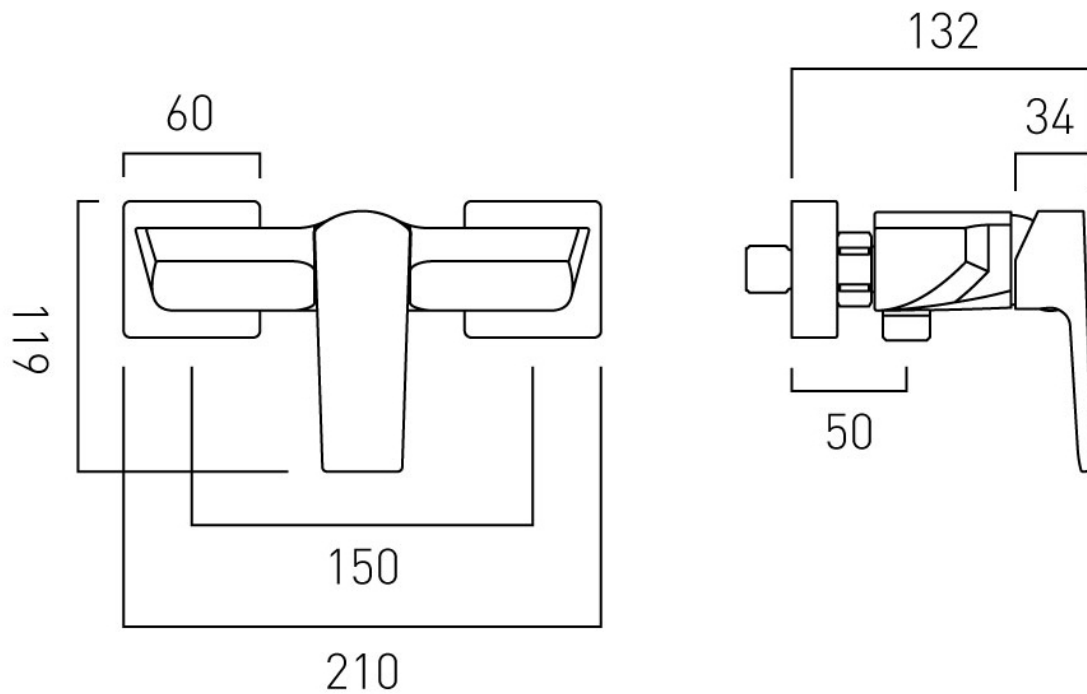
AXCES
by VADO

.....

TECHNICAL DRAWING

COLLECTION: EKKO

PRODUCT CODE: AX-EKO-149-CP



CONTACT

SALES: 01934 744466

AFTERSALES: 01934 745163

EMAIL: SALES@VADO.COM

WWW.VADO.COM/AXCES

AXCES
by VADO