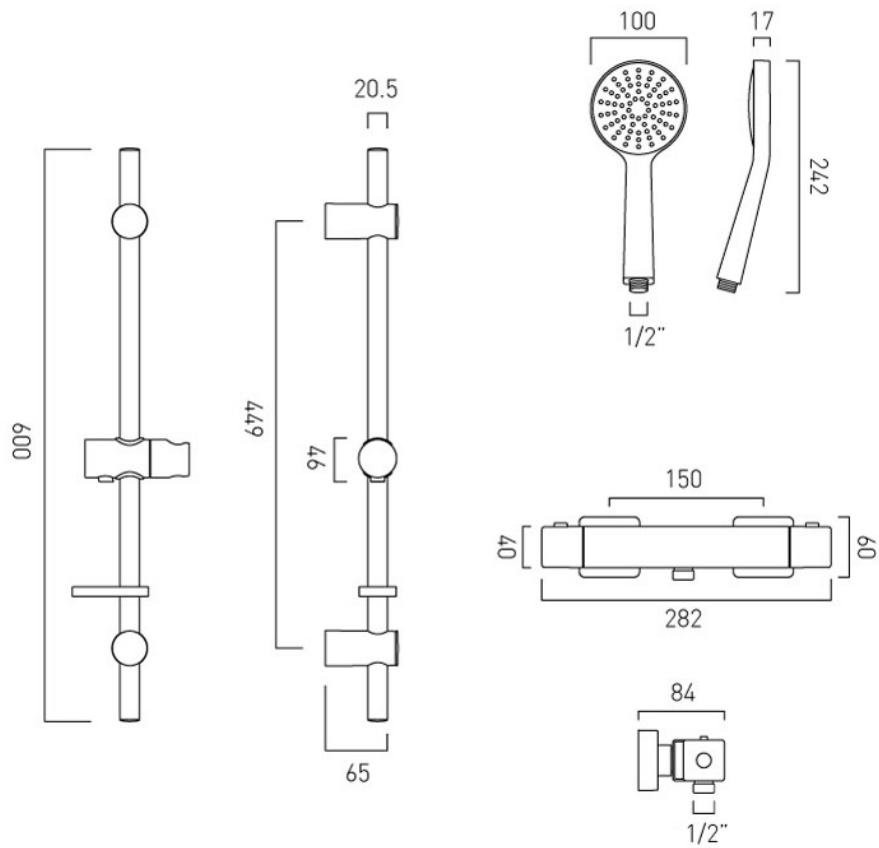


TECHNICAL DRAWING

COLLECTION: BOKX

PRODUCT CODE: AX-BOK-SFSP-CP



tel: 01934 744466
email: sales@vado.com
www.vado.com

where inspiration flows
taps | showering | accessories

