

.....

# SPECIFICATION SHEET

COLLECTION: BOKX  
PRODUCT CODE: AX-BOK-180A-CP



**DESCRIPTION:**  
covered paper holder  
wall mounted

**FINISH:**  
Chrome



**CONTACT**  
SALES: 01934 744466  
AFTERSALES: 01934 745163  
EMAIL: SALES@VADO.COM

WWW.VADO.COM/AXCES

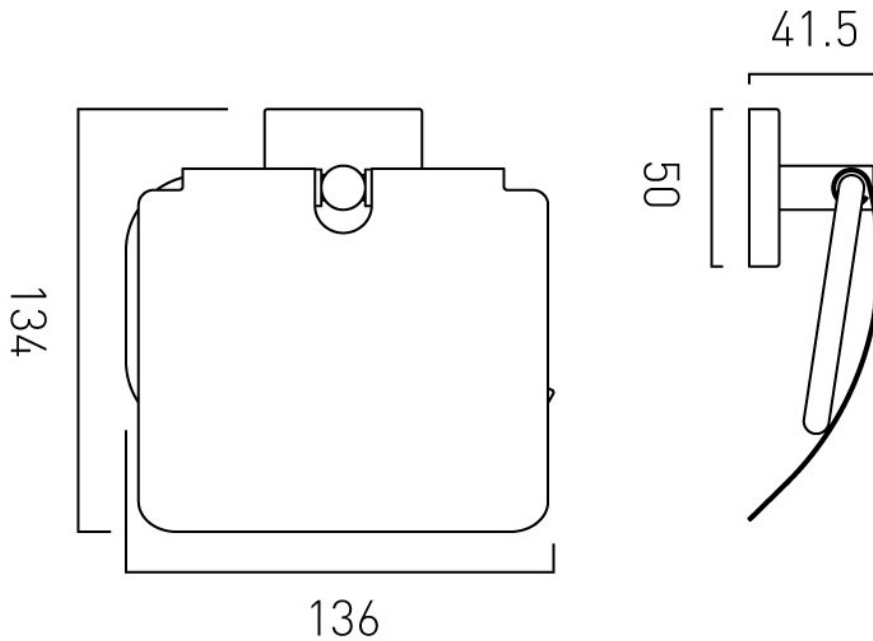
AXCES  
by VADO

.....

# TECHNICAL DRAWING

COLLECTION: BOKX

PRODUCT CODE: AX-BOK-180A-CP



## CONTACT

SALES: 01934 744466

AFTERSALES: 01934 745163

EMAIL: SALES@VADO.COM

WWW.VADO.COM/AXCES

AXCES  
by VADO