

.....

SPECIFICATION SHEET

COLLECTION: AVA
PRODUCT CODE: AX-AVA-145A-CP



DESCRIPTION:

concealed 1 outlet shower valve
single lever
wall mounted
with oval backplate
ceramic cartridge W-001-N35
2 x 1/2" female inlets
2 x 1/2" female outlets (one is blanked off)
min-max wall mount 40-65mm
minimum operating pressure 0.2 bar LP shower / 1.5 bar MP bath

FINISH:

Chrome

MINIMUM OPERATING PRESSURE:

0.2 bar LP (shower) 1.5 bar MP (bath)



CONTACT

SALES: 01934 744466

AFTERSALES: 01934 745163

EMAIL: SALES@VADO.COM

WWW.VADO.COM/AXCES

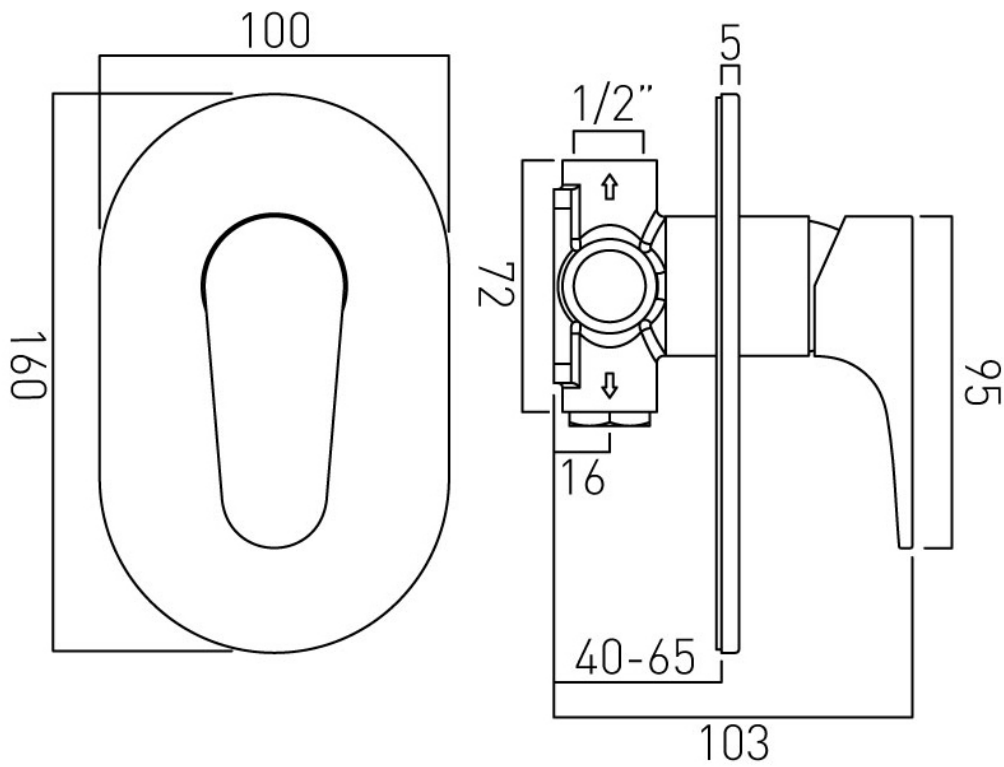
AXCES
by VADO

.....

TECHNICAL DRAWING

COLLECTION: AVA

PRODUCT CODE: AX-AVA-145A-CP



CONTACT

SALES: 01934 744466

AFTERSALES: 01934 745163

EMAIL: SALES@VADO.COM

WWW.VADO.COM/AXCES

AXCES
by VADO