

.....

SPECIFICATION SHEET

COLLECTION: AVA
PRODUCT CODE: AX-AVA-137-CP



DESCRIPTION:

2 hole bath filler
deck mounted
with Neoperl water flow straightener
cold ceramic cartridge ION-
VALVE/CD/CL-3/4
hot ceramic cartridge ION-
VALVE/CD/HT-3/4
2 x 3/4" male threaded connections
deck mount drill hole diameter
28-30mm
minimum operating pressure 0.2 bar
LP

FINISH:

Chrome

MINIMUM OPERATING PRESSURE:

0.2 bar LP

FLOW RATE AT 3.0 BAR FLOW PRESSURE:

79.46 l/min



CONTACT

SALES: 01934 744466

AFTERSALES: 01934 745163

EMAIL: SALES@VADO.COM

WWW.VADO.COM/AXCES

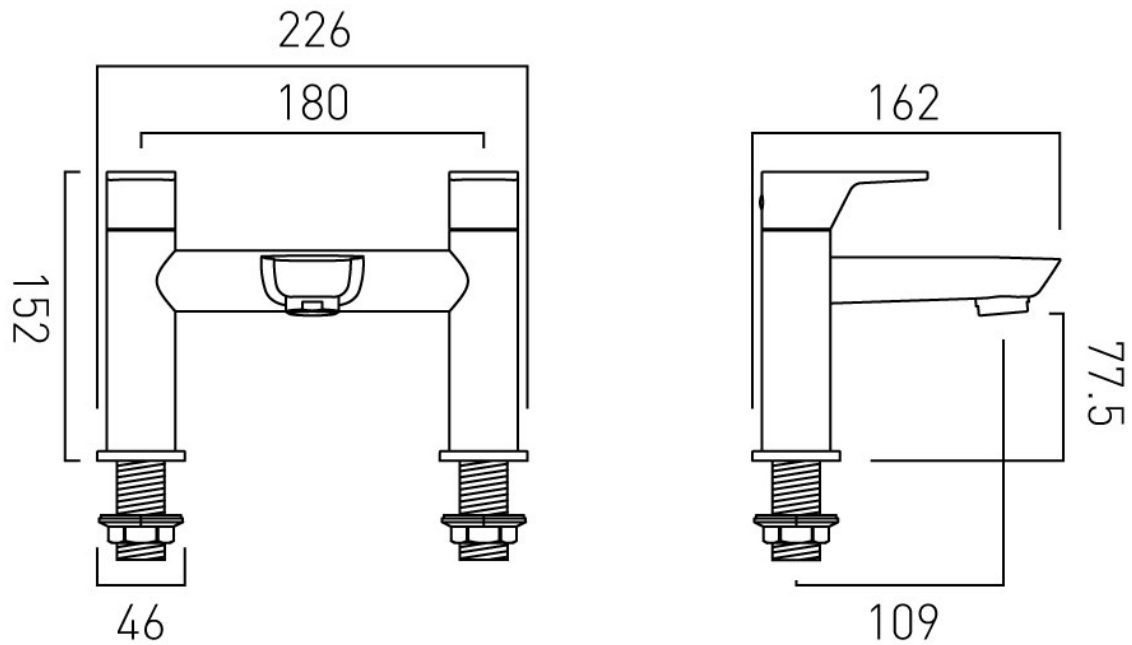
AXCES
by VADO

.....

TECHNICAL DRAWING

COLLECTION: AVA

PRODUCT CODE: AX-AVA-137-CP



CONTACT

SALES: 01934 744466

AFTERSALES: 01934 745163

EMAIL: SALES@VADO.COM

WWW.VADO.COM/AXCES

AXCES
by VADO