

.....

# SPECIFICATION SHEET

COLLECTION: ASTRA  
PRODUCT CODE: AX-AST-337-CP



## DESCRIPTION:

2 hole bath filler  
deck mounted  
with water flow straightener  
cold ceramic cartridge C-201-RTC  
hot ceramic cartridge C-201-LTC  
standard cartridge for AST-1 only:  
C-102-STD  
2 x 3/4" male threaded connections  
deck mount drill hole diameter 27mm  
minimum operating pressure 0.2 bar LP

## FINISH:

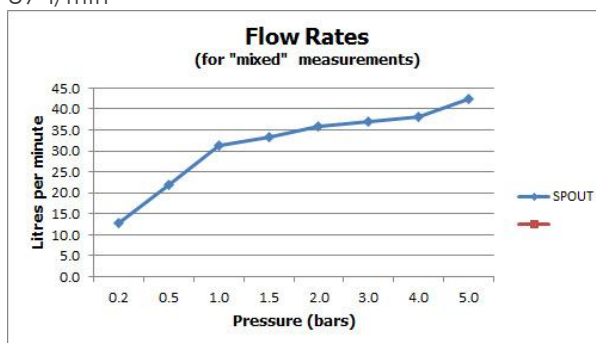
Chrome

## MINIMUM OPERATING PRESSURE:

0.2 bar LP

## FLOW RATE AT 3.0 BAR FLOW PRESSURE:

37 l/min



## CONTACT

SALES: 01934 744466

AFTERSALES: 01934 745163

EMAIL: SALES@VADO.COM

WWW.VADO.COM/AXCES

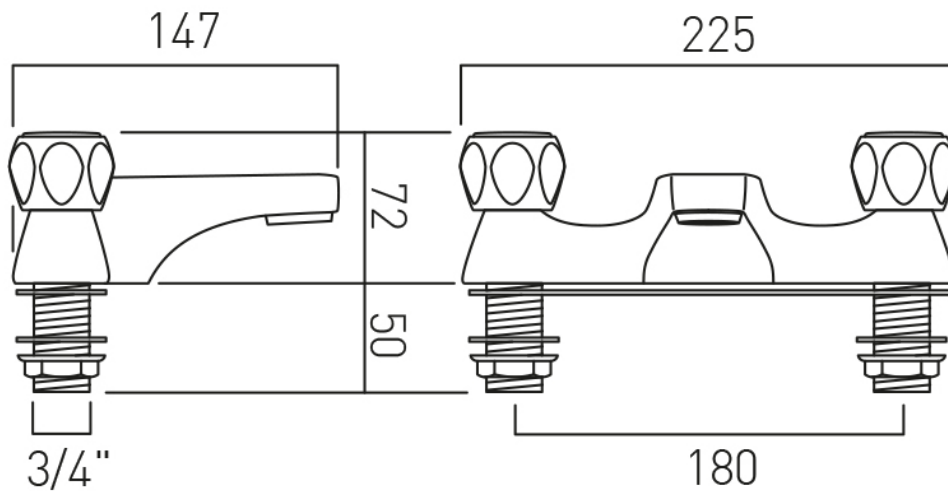
AXCES  
by VADO

.....

# TECHNICAL DRAWING

COLLECTION: ASTRA

PRODUCT CODE: AX-AST-337-CP



## CONTACT

SALES: 01934 744466

AFTERSALES: 01934 745163

EMAIL: SALES@VADO.COM

WWW.VADO.COM/AXCES

AXCES  
by VADO