

.....

# SPECIFICATION SHEET

**COLLECTION:** ASTRA  
**PRODUCT CODE:** AX-AST-300-CP



**DESCRIPTION:**

mono basin mixer  
deck mounted  
with pop-up waste  
with water flow straightener  
with water flow aerator  
cold ceramic cartridge C-201-RTC  
hot ceramic cartridge C-201-LTC  
standard cartridge for AST-1 only  
C-102-STD  
2 x 1/2" nut x 400mm flexipipe  
connections  
deck mount drill hole diameter 35mm  
minimum operating pressure 0.2 bar  
LP

**FINISH:**

Chrome

**FLOW REGULATOR:**

FR-100/5-PLA

**MINIMUM OPERATING PRESSURE:**

0.2 bar LP

**FLOW RATE AT 3.0 BAR FLOW PRESSURE:**

16 l/min



**CONTACT**

**SALES:** 01934 744466

**AFTERSALES:** 01934 745163

**EMAIL:** SALES@VADO.COM

[WWW.VADO.COM/AXCES](http://WWW.VADO.COM/AXCES)

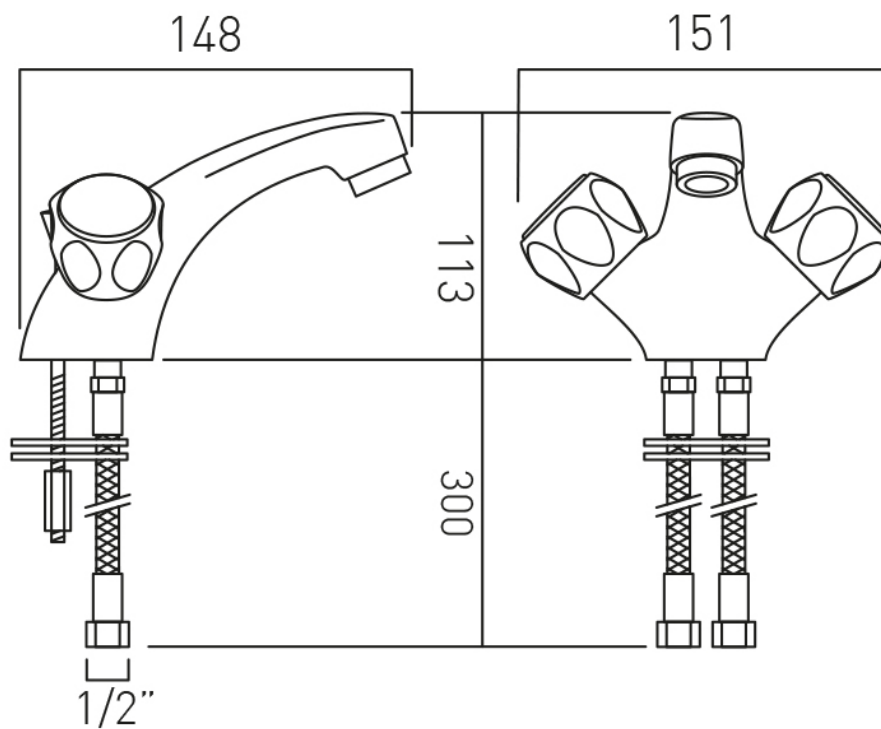
**AXCES**  
by **VADO**

.....

# TECHNICAL DRAWING

COLLECTION: ASTRA

PRODUCT CODE: AX-AST-300-CP



## CONTACT

SALES: 01934 744466

AFTERSALES: 01934 745163

EMAIL: SALES@VADO.COM

WWW.VADO.COM/AXCES

AXCES  
by VADO