

.....

SPECIFICATION SHEET

COLLECTION: ASTRA
PRODUCT CODE: AX-AST-100-CP



DESCRIPTION:

mono basin mixer
deck mounted
with pop-up waste
with water flow straightener
with water flow aerator
cold ceramic cartridge C-201-RTC
hot ceramic cartridge C-201-LTC
standard cartridge for AST-1 only
C-102-STD
2 x 1/2" nut x 400mm flexipipe
connections
deck mount drill hole diameter 35mm
minimum operating pressure 0.2 bar
LP

FINISH:

Chrome

FLOW REGULATOR:

FR-100/5-PLA

MINIMUM OPERATING PRESSURE:

0.2 bar LP

FLOW RATE AT 3.0 BAR FLOW PRESSURE:

16 l/m



CONTACT

SALES: 01934 744466

AFTERSALES: 01934 745163

EMAIL: SALES@VADO.COM

WWW.VADO.COM/AXCES

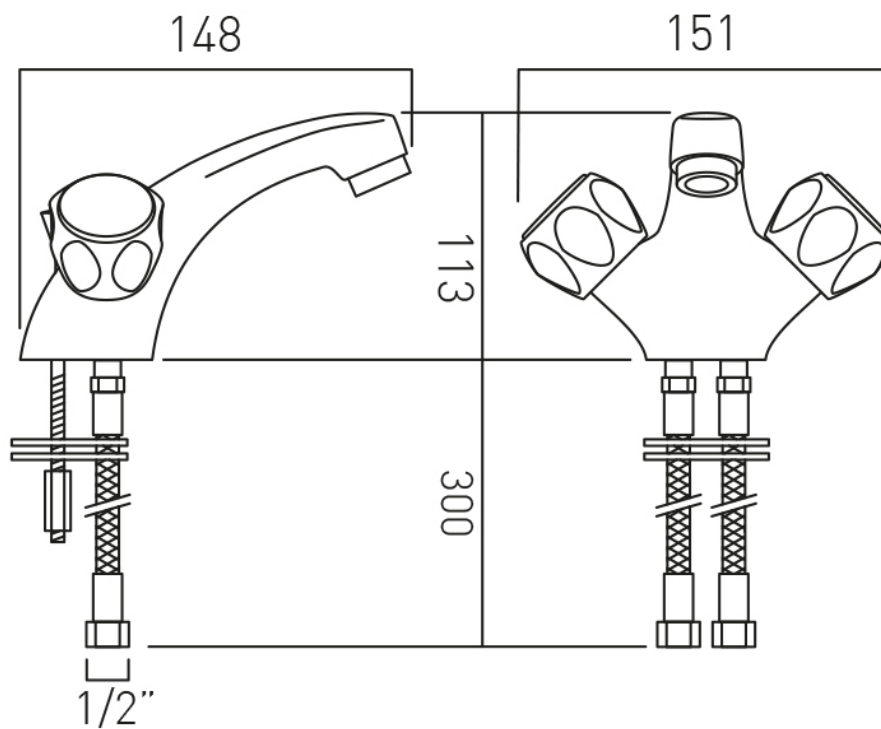
AXCES
by VADO

.....

TECHNICAL DRAWING

COLLECTION: ASTRA

PRODUCT CODE: AX-AST-100-CP



CONTACT

SALES: 01934 744466

AFTERSALES: 01934 745163

EMAIL: SALES@VADO.COM

WWW.VADO.COM/AXCES

AXCES
by VADO