

SPECIFICATION SHEET

COLLECTION: ALTITUDE

PRODUCT CODE: TAB-1710/ALT-AS-CP



DESCRIPTION:

tablet altitude vertical

- 1 outlet, 2 handle valve
 - atmosphere slide rail shower kit with air-injection single-function handset
 - life wall outlet
- minimum operating pressure 0.2 bar LP

kit comprises:

TAB-148-ALT-C/P

ATM-SFSRK/2-C/P

LIF-OUTLET-C/P

shower valve includes fittings for 1/2" and 3/4" pipework

min-max wall mount 75-100mm (standard)

optimum installation depth 88mm (standard)

FINISH:

Chrome

FLOW REGULATOR:

FR-SHOWER/9-C/P

MINIMUM OPERATING PRESSURE:

0.2 bar LP



tel: 01934 744466

email: sales@vado.com

www.vado.com

where inspiration flows

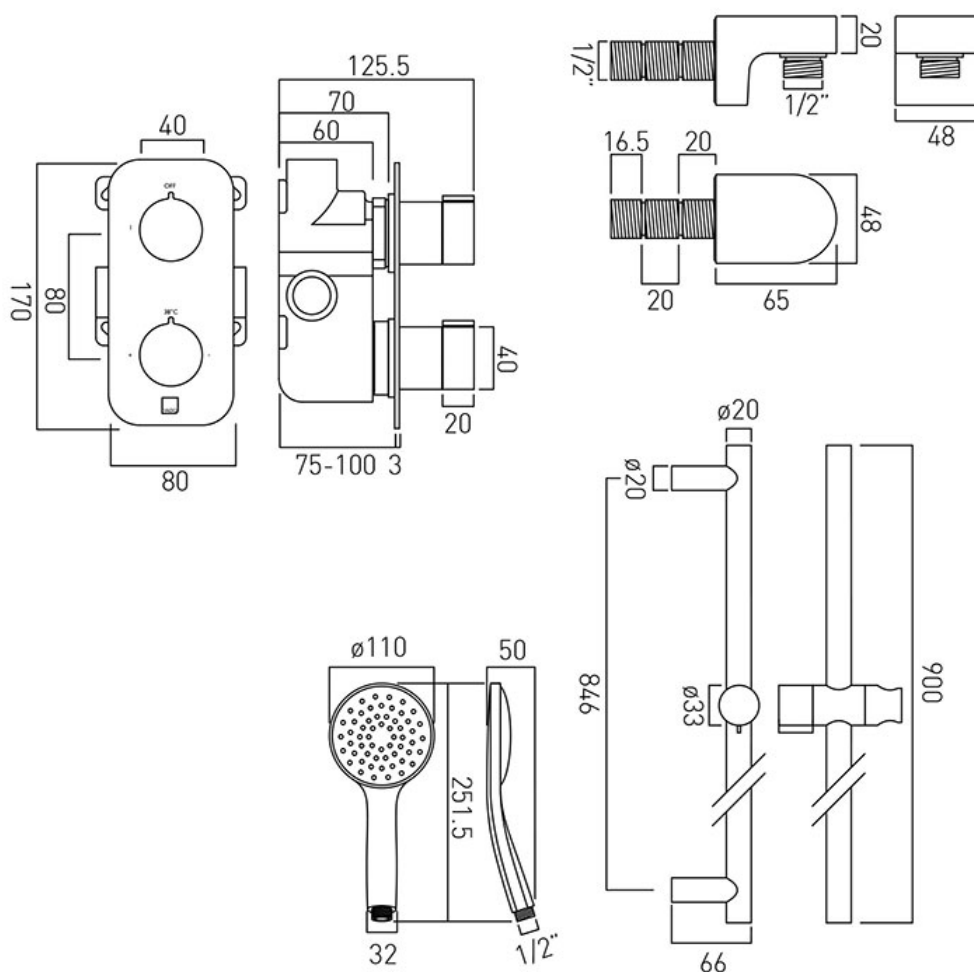
taps | showering | accessories



TECHNICAL DRAWING

COLLECTION: ALTITUDE

PRODUCT CODE: TAB-1710/ALT-AS-CP



tel: 01934 744466
email: sales@vado.com
www.vado.com

where inspiration flows
taps | showering | accessories

