

# SPECIFICATION SHEET

**COLLECTION:** KOVERA

**PRODUCT CODE:** TAB-148/2-KOV-C/P



## DESCRIPTION:

Tablet Kovera vertical concealed 2 outlet 2 handle  
thermostatic shower valve with all-flow function  
wall mounted  
thermostatic cartridge V-001C-PLA  
diverter cartridge TAB-001G-DIV  
2 x 3/4" female inlets  
2 x 3/4" female outlets  
includes 3/4" - 1/2" adaptors  
supplied with mortar/tile guard  
min-max wall mount 75-100mm  
optimum installation depth 87mm  
minimum operating pressure  
0.2 bar LP (shower) 1.0 bar MP (bath)

## FINISH:

Chrome

## MINIMUM OPERATING PRESSURE:

0.2 bar LP (shower) 1.0 bar MP (bath)

## FLOW RATE AT 3.0 BAR FLOW PRESSURE:

outlet 1 29.6 outlet 2 29.7 both 31.9 l/min



tel: 01934 744466  
email: sales@vado.com  
www.vado.com

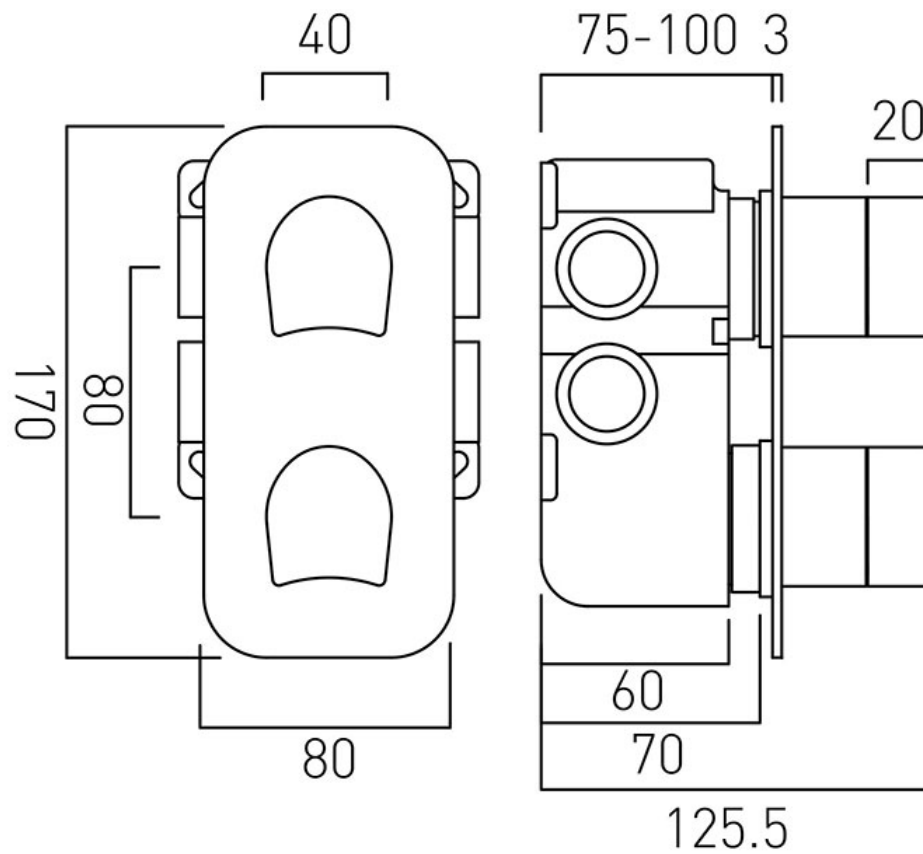
**where inspiration flows**  
taps | showering | accessories



# TECHNICAL DRAWING

**COLLECTION:** KOVERA

**PRODUCT CODE:** TAB-148/2-KOV-C/P



tel: 01934 744466  
email: sales@vado.com  
www.vado.com

**where inspiration flows**  
taps | showering | accessories

