

# SPECIFICATION SHEET

**COLLECTION:** ALTITUDE

**PRODUCT CODE:** TAB-148/2-ALT-C/P



**DESCRIPTION:**

Tablet Altitude vertical concealed 2 outlet 2 handle  
thermostatic shower valve with all-flow function

wall mounted

thermostatic cartridge V-001C-PLA

diverter cartridge TAB-001G-DIV

2 x 3/4" female inlets

2 x 3/4" female outlets

includes 3/4" - 1/2" adaptors

supplied with mortar/tile guard

min-max wall mount 75-100mm

optimum installation depth 87mm

minimum operating pressure 0.2 bar LP (shower) / 1.0

bar MP (bath)

**FINISH:**

Chrome

**FLOW REGULATOR:**

N

**MINIMUM OPERATING PRESSURE:**

0.2 bar LP (shower) 1.0 bar MP (bath)



tel: 01934 744466

email: sales@vado.com

www.vado.com

**where inspiration flows**

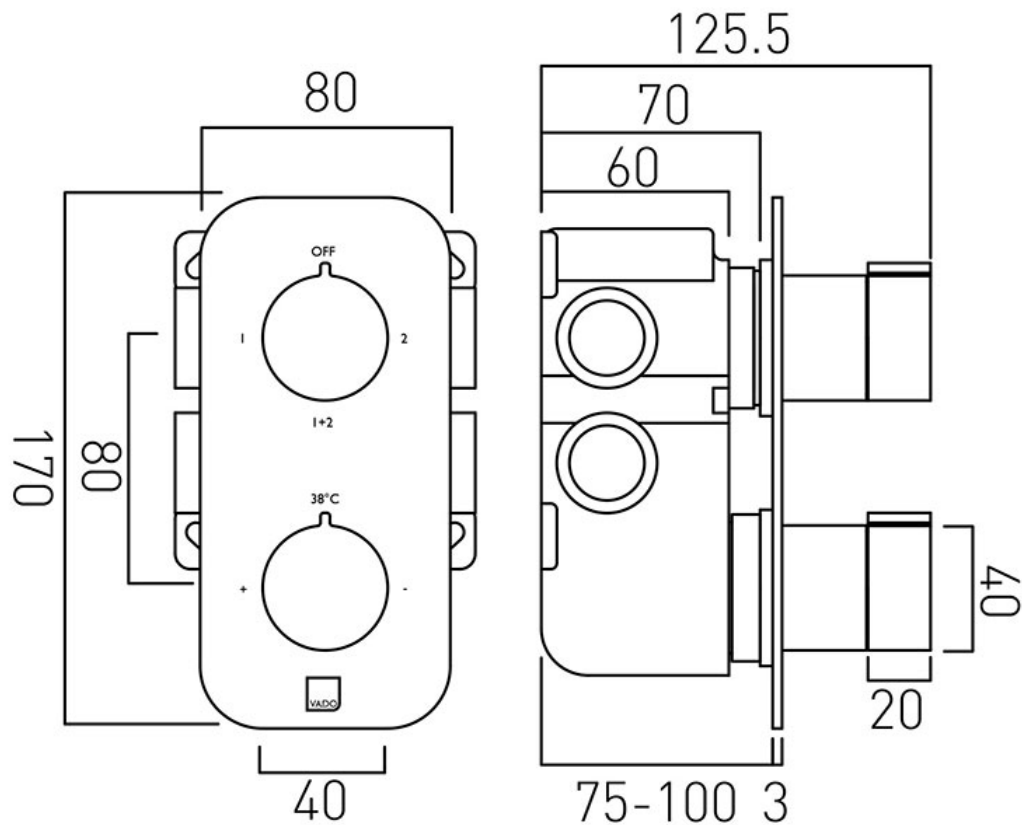
taps | showering | accessories

VADO

# TECHNICAL DRAWING

**COLLECTION:** ALTITUDE

**PRODUCT CODE:** TAB-148/2-ALT-C/P



tel: 01934 744466  
email: sales@vado.com  
www.vado.com

**where inspiration flows**  
taps | showering | accessories

