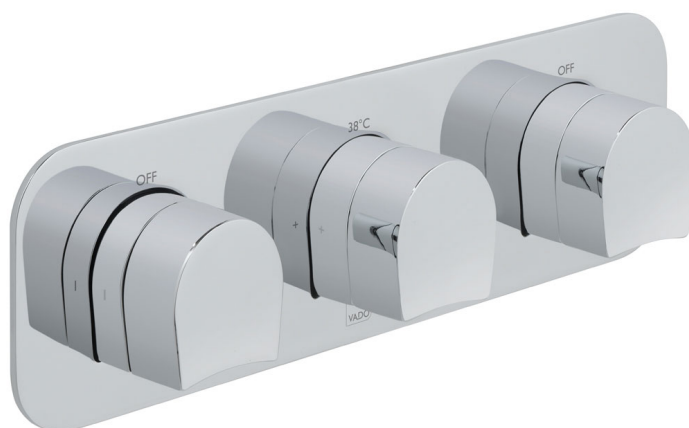


SPECIFICATION SHEET

COLLECTION: KOVERA

PRODUCT CODE: TAB-128/3-H-KOV-C/P



DESCRIPTION:

Tablet Kovera horizontal concealed 3 outlet 3 handle thermostatic shower valve with all-flow function wall mounted
thermostatic cartridge V-001C-PLA
diverter cartridge TAB-001G-DIV
flow cartridge TAB-002A-3/4
2 x 3/4" female inlets
3 x 3/4" female outlets
includes 3/4" - 1/2" adaptors
supplied with mortar/tile guard
min-max wall mount 75-100mm
optimum installation depth 87mm
minimum operating pressure
0.2 bar LP (shower) 1.0 bar MP (bath)

FINISH:

Chrome

MINIMUM OPERATING PRESSURE:

0.2 bar LP (shower) 1.0 bar MP (bath)

FLOW RATE AT 3.0 BAR FLOW PRESSURE:

outlet 1 30.1 outlet 2 30.1 outlet 3 33.2 l/min



tel: 01934 744466
email: sales@vado.com
www.vado.com

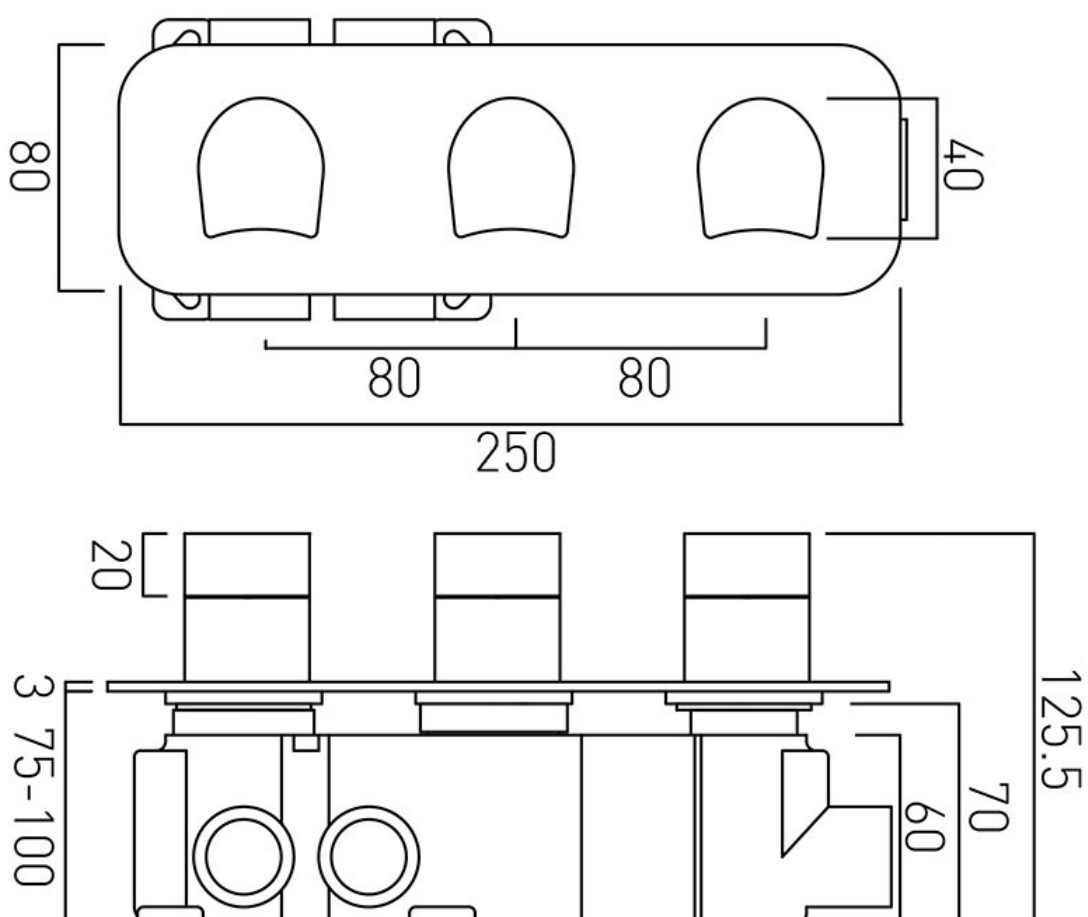
where inspiration flows
taps | showering | accessories



TECHNICAL DRAWING

COLLECTION: KOVERA

PRODUCT CODE: TAB-128/3-H-KOV-C/P



tel: 01934 744466
email: sales@vado.com
www.vado.com

where inspiration flows
taps | showering | accessories

